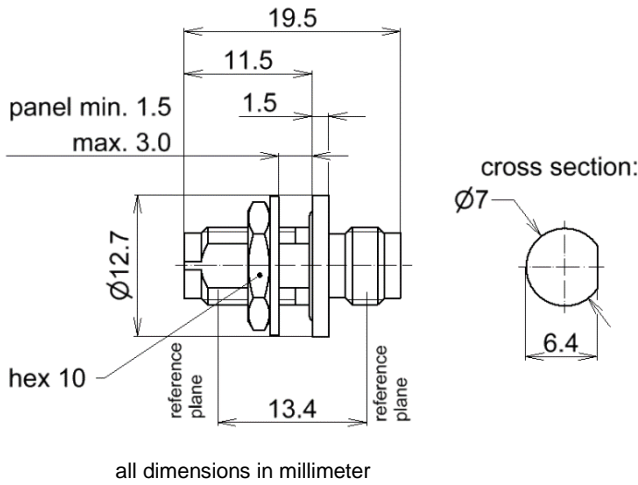


Fixed Adapter, Type 1.85 mm || BN 533712



Interface type	1.85 mm socket (50 Ω) per IEC 61169-32
Frequency range	DC to 70 GHz
Return loss, min.	27 dB @ DC to 10 GHz 24 dB @ 10 to 26.5 GHz 20 dB @ 26.5 to 50 GHz 16 dB @ 50 to 70 GHz
Inner conductor material / surface finish	CuBe age-hardened / gold plated
Outer conductor material / surface finish	copper alloy / CuSnZn plated
Other metal parts / surface finish	copper alloy / nickel plated stainless steel / no finish
Insulation	PS
Sealing	silicone rubber
IP protection level	IP40 per EN 60529
Weight, approx.	6 g
Scope of delivery	protective caps, nut, toothed washer, o-ring

SPINNER GmbH
 This document is proprietary to us.
 All rights reserved. Any use, transfer, or reproduction of this document
 or the know-how contained therein requires our express consent.