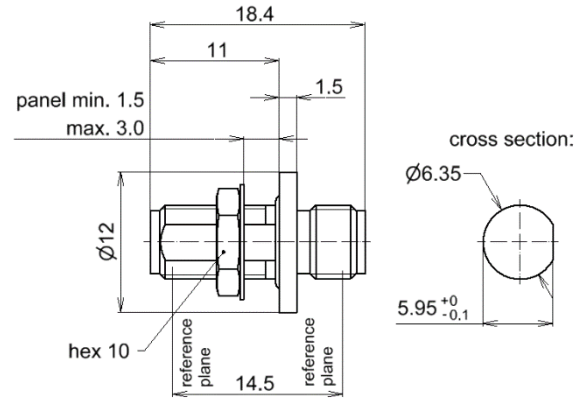


Fixed Connector, Type 2.92 mm | BN 533168



all dimensions in millimeter

Interface type	2.92 mm socket (50 Ω) per IEC 61169-35
Frequency range	DC to 44 GHz
Return loss, min.	27 dB @ DC to 10 GHz
	24 dB @ 10 to 26.5 GHz
	20 dB @ 26.5 to 44 GHz
Inner conductor material / surface finish	CuBe age-hardened / gold plated
Outer conductor material / surface finish	copper alloy / CuSnZn plated
Other metal parts / surface finish	copper alloy / nickel plated
	stainless steel / no finish
Insulation	PS, PTFE
Sealing	silicone rubber
IP protection level	IP40 per EN 60529
Weight, approx.	6 g
Operating temperature range	-40 to +70°C
Scope of delivery	protective caps, nut, washer, o-ring

SPINNER GmbH
 This document is proprietary to us.
 All rights reserved. Any use, transfer, or reproduction of this document
 or the know-how contained therein requires our express consent.