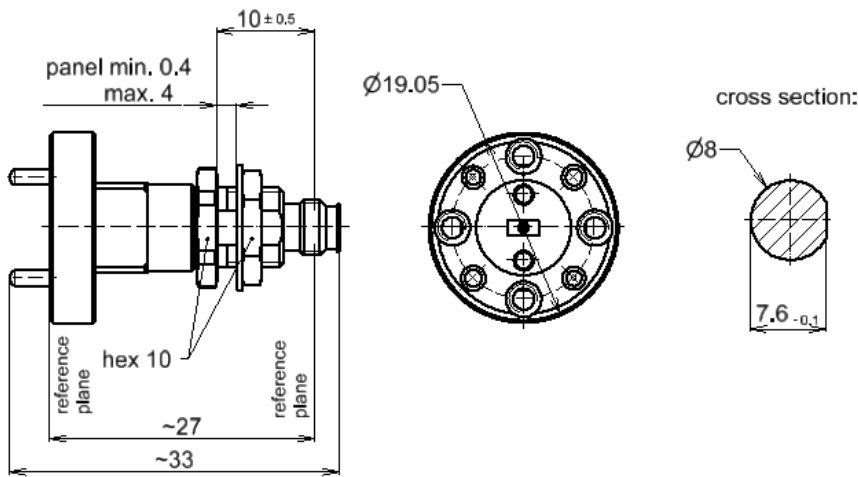


Waveguide to Coaxial Adapter Panel Mount || BN 533159



all dimensions in millimeter

Radio frequency characteristics

Waveguide interface aperture	R 740 per IEC 60153-2 (WR 12 per EIA RS-261)
Waveguide interface connector	UFC 740 per IEC 60154-2 compatible to M3922/67-009 (UG-387/U)
Coaxial interface type	1.35 mm socket per IEEE Std 287
Frequency range	60 to 90 GHz
Return loss, min. / typ.	16 dB / 20 dB

Mechanical characteristics

Inner conductor material / surface finish	CuBe age hardened / gold-plated
Housing material / surface finish	CuBe / gold-plated copper alloy / gold-plated
Other metallic parts / surface finish	copper alloy / nickel-plated stainless steel / passivated
Weight, approx.	0.02 kg
Marking	laser engraving

Environmental conditions

Operation	
Ambient temperature range	0 to +30°C
Relative humidity	95% (non-condensing)
Storage	
Ambient temperature range	-40 to +70°C
Relative humidity	95% (non-condensing)

Scope of delivery and accessories

Scope of delivery	protective caps, socket-head cap screws no. 4-40 UNC
-------------------	--

This document is proprietary to us. All rights reserved. Any use, transfer, or reproduction of this document or the know-how contained therein requires our express consent.

SPINNER GmbH