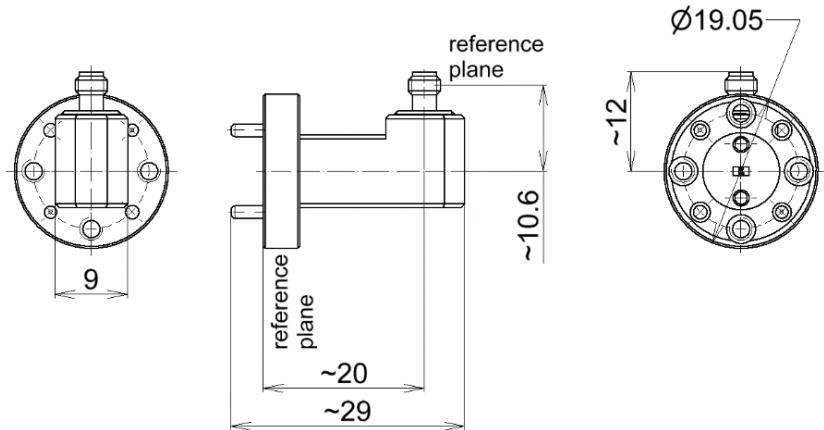


Waveguide to Coaxial Adapter || BN 533110



all dimensions in millimeter

**Radio frequency characteristics**

Waveguide interface aperture	R 1.2k per IEC 60153-2 (WR 8 per EIA RS-261, WM-2032 per IEEE Std 1785.1)
Waveguide interface connector	UFC 1.2k per IEC 60154-2; compatible to IEEE 1785-2a type flanges
Coaxial interface type	1.0 mm socket per IEC 61169-31 (50 Ω)
Frequency range	90 to 120 GHz
Return loss, min. / typ.	16 dB / 20 dB

**Mechanical characteristics**

Inner conductor material / surface finish	CuBe age hardened / gold-plated
Outer conductor material / surface finish	CuBe / gold plated copper alloy / gold-plated
Other metallic parts / surface finish	stainless steel
Weight, approx.	0.03 kg
Marking	laser engraving

**Environmental conditions**

<b>Operation</b>	
Ambient temperature range	+18 to +28°C
Relative humidity	95% (non condensing)
<b>Storage</b>	
Ambient temperature range	-40 to +70°C
Relative humidity	95% (non condensing)

**Scope of delivery and accessories**

Scope of delivery	protective caps, socket-head cap screws no. 4-40 UNC
-------------------	--

SPINNER GmbH  
 This document is proprietary to us.  
 All rights reserved. Any use, transfer, or reproduction of this document  
 or the know-how contained therein requires our express consent.