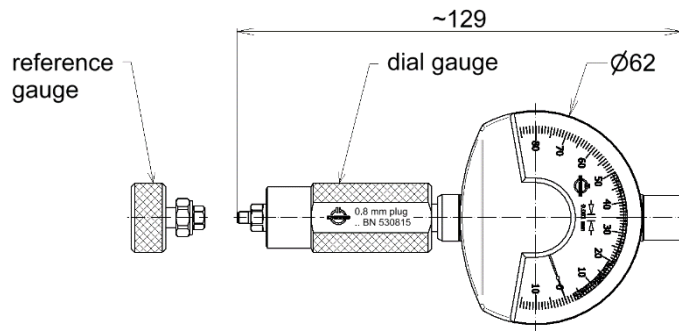


## Dial gauge; 0.8 mm plug | BN 530815



all dimensions in millimeter

### Device under test characteristics

Interface type	0.8 mm plug per IEEE Std 287	
Connector grade	metrology	instrument
Pin depth range	3 to 20 $\mu\text{m}$	3 to 50 $\mu\text{m}$
Pin depth tolerance	17 $\mu\text{m}$	47 $\mu\text{m}$

### Dial gauge characteristics

Dial range	100 $\mu\text{m}$ (85 $\mu\text{m}$ recess to 15 $\mu\text{m}$ protrusion)
Scale division	1 $\mu\text{m}$
Tolerance markings	colored dial segments for the two devices under test listed above
Measurement error, max.	3 $\mu\text{m}$ <sup>1)</sup>
Measuring force, approx.	0.5 N
Material of the touchable metal parts	stainless steel
Weight, approx.	300 g
Marking	laser engraving
Handling instructions	38700A

<sup>1)</sup> Conditions: Follow the handling instructions to achieve the lowest possible error.

### Environmental conditions

<b>Operation</b>	
Ambient temperature range	+18 to +28°C
<b>Storage</b>	
Ambient temperature range	-30 to +50°C

### Scope of delivery and accessories

Scope of delivery	dial gauge, reference gauge, storage box, handling instructions, factory calibration certificate
-------------------	--

### Recalibration

Suggestions for recalibrating the dial gauge can be found in the handling instructions.