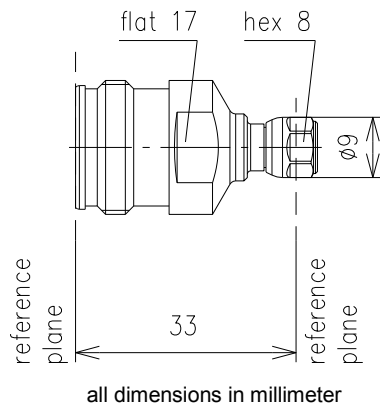


Inter-Series Adapter Type 4.3-10 Socket to 3.5 mm Plug || BN 432022



Interface type	4.3-10 socket (50 Ω) per IEC 61169-54 3.5 mm plug (50 Ω) per IEC 60169-23
VSWR, max.	1.02 @ DC to 2 GHz 1.04 @ 2 to 3 GHz 1.08 @ 3 to 6 GHz
Frequency range	DC to 6 GHz
Inner conductor material / surface finish	copper alloy / gold plated
Outer conductor material / surface finish	copper alloy / silver plated copper alloy / CuSnZn plated
Other metal parts / surface finish	copper alloy / CuSnZn plated
Insulation	PTFE
Sealing	silicone rubber
IP protection level	4.3-10 socket: IP68 per EN 60529 (interface connected with appropriate gasket) 3.5 mm plug: IP68 per EN 60529 (barrier and mating face sealed)
Weight, approx.	35 g