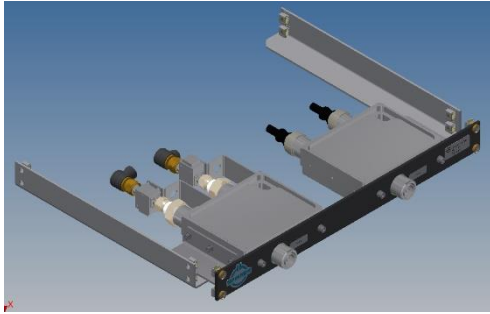
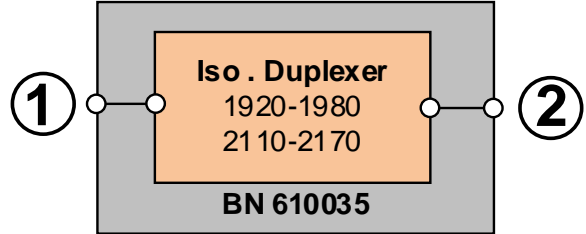


# Iso.Duplexer 2100



Not binding



block diagram

## Electrical characteristics

Part number	<b>BN 610035</b>
Frequency range	1920-1980 MHz (UL) 2110-2170 MHz (DL)
Insertion loss	
Port 1 to Port 2 @ DL	≤ 1.5 dB
Port 1 to Port 2 @ UL	≥ 25 dB
Port 2 to Port 1 @ DL	≥ 25 dB
Port 2 to Port 1 @ UL	≤ 1.5 dB
VSWR	≤ 1.25
Intermodulation products in RX band with 2 x 43dBm (20 W)	-155 dBc max. / -160 dBc typ.
Impedance	50 Ohm
Power Rating	100 W (CW) max.

## Mechanical characteristics

Connectors	7-16 female (50 ohms)
Dimensions, approx. (Excluding brackets and connectors)	490 mm x 43.6mm x 387 mm (Width x Height x Depth)
Weight, approx.	4.5 kg
Wall / Mast mounting (optional)	19" Rack mounting included

SPINNER GmbH  
 This document is proprietary to us.  
 All rights reserved. Any use, transfer, or reproduction of this document  
 or the know-how contained therein requires our express consent.

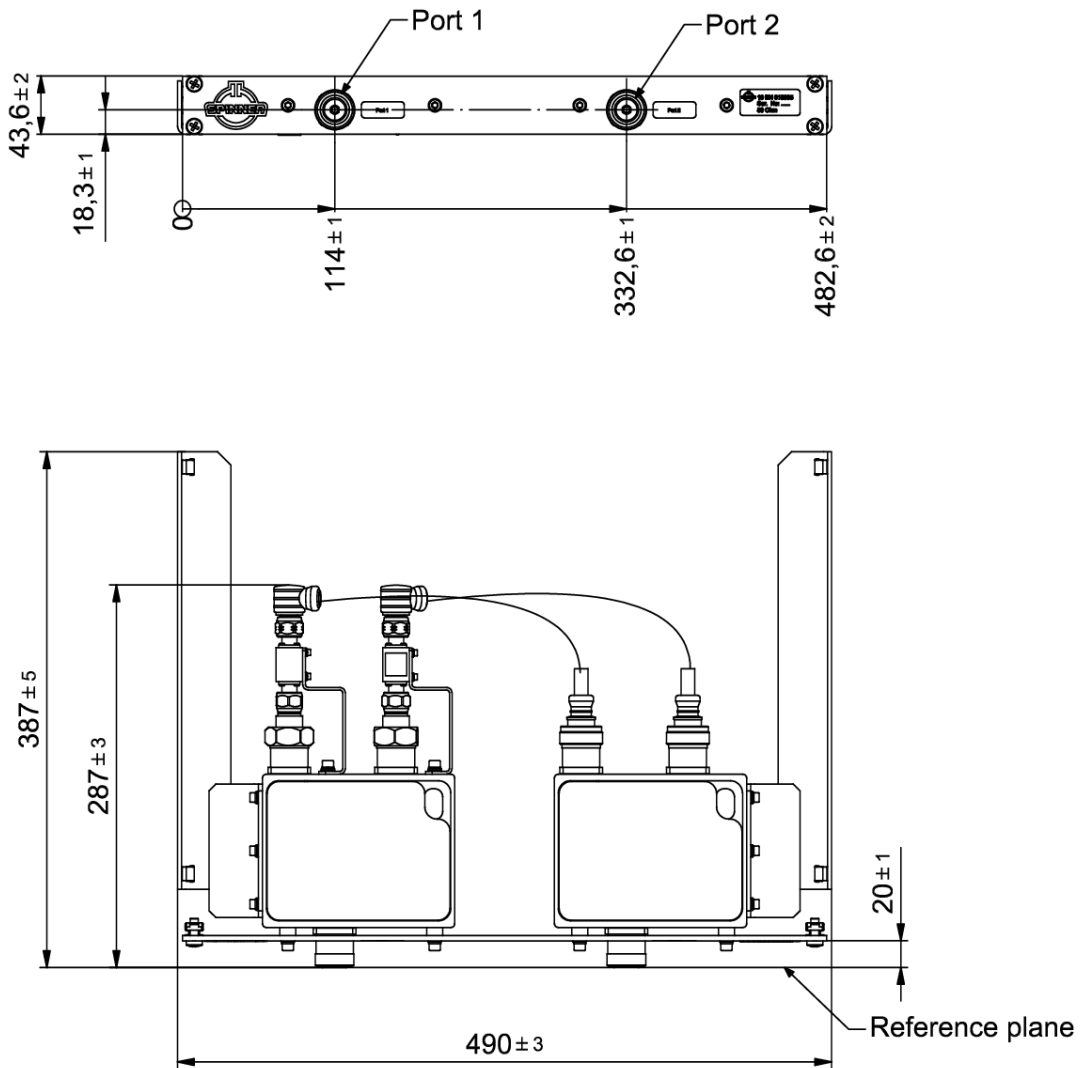
Template TD-00002Y

# Iso.Duplexer 2100

## Environmental conditions

Class. of environmental conditions	ETSI EN 300019-1-1 Class 1.2
	ETSI EN 300019-1-2 Class 2.3
	ETSI EN 300019-1-3 Class 3.1
Degree of protection	indoor use
Operation Ambient temperature range	-40 °C to +55 °C
Storage Ambient temperature range	-40 °C to +85 °C

## Dimension:



SPINNER GmbH  
 This document is proprietary to us.  
 All rights reserved. Any use, transfer, or reproduction of this document  
 or the know-how contained therein requires our express consent.

Template TD-00002Y

## Standard:

7-16 female (50 ohms): EN 122190, IEC 61169-4; 61755

modifications reserved!