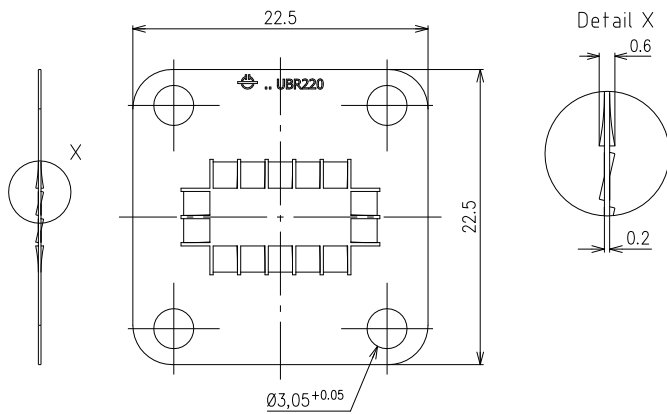


CONTACT SHIM



Part number	BN 00 36 87	
Configuration		
Waveguide	R220 (WR42)	
Flange	similar UBR	
Material and surface	CuBe	untreated
Standards	IEC 60154-2	
Weight	approx. 0.001 kg	