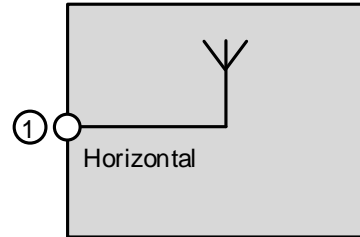


Thin H-Pol Omni antenna, 694MHz-4000MHz



not binding



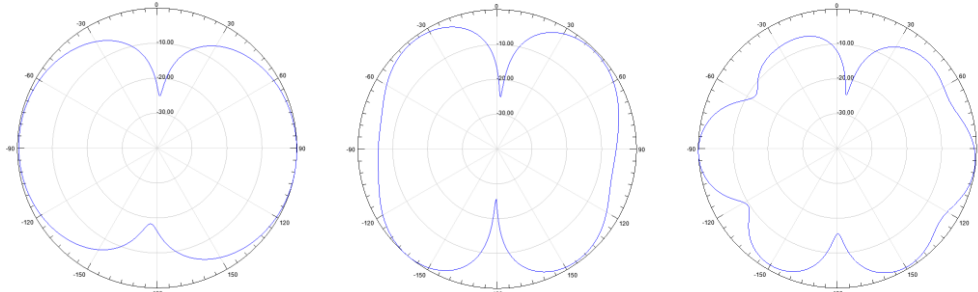
block diagram

Part number		BN A77143				
Connector		4.3-10 female (50 Ω)				
Frequency range, [MHz]		694-806	806-960	1350-1710	1710-2700	3400-4000
Gain, [dBi]		2.2±0.5	3.5±0.5	4.0±1.0	4.5±1.0	6.0±1.0
Polarization		Horizontal				
Beam width	Horizontal, [deg]	360				
	Vertical, [deg]	90-260		50-200		30-80
VSWR		≤1.5	≤1.5	≤1.8	≤1.5	≤1.5
Intermodulation (IM3) @ 2x 20 W, [dBc]		≤ -153				
Input power, [W]		max. 50				
Degree of protection		Indoor / IP54				
Weight, without Mounting Kit, [kg]		0.3				
Radome Material and Color		ABS, White, RAL9003				
Temperature range, [°C]		-55 – +60				
Dimensions, [mm]		Ø220 x 18				
Operational Humidity		<95%				
RoHS		Compliant				
Flammability rating		UL 94-V0				
Fire load, [kWh]		2.05				
Installation instructions		M36535				
Mounting Kit		Ceiling ¹⁾ , via hole(standard)				

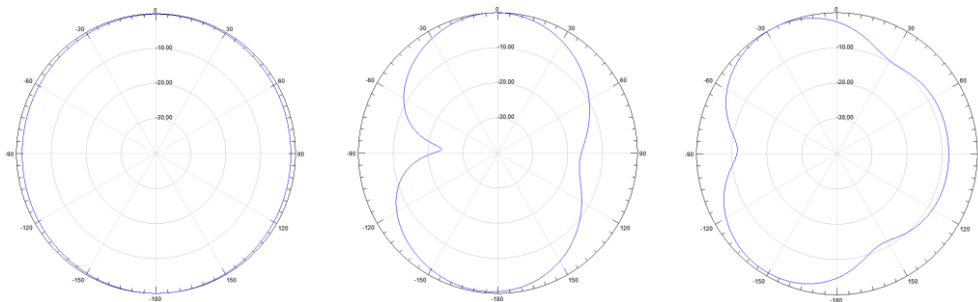
¹⁾ The installation of thin antennas is not recommended for metal ceilings.

Radiation pattern:

Horizontal pattern



Vertical pattern

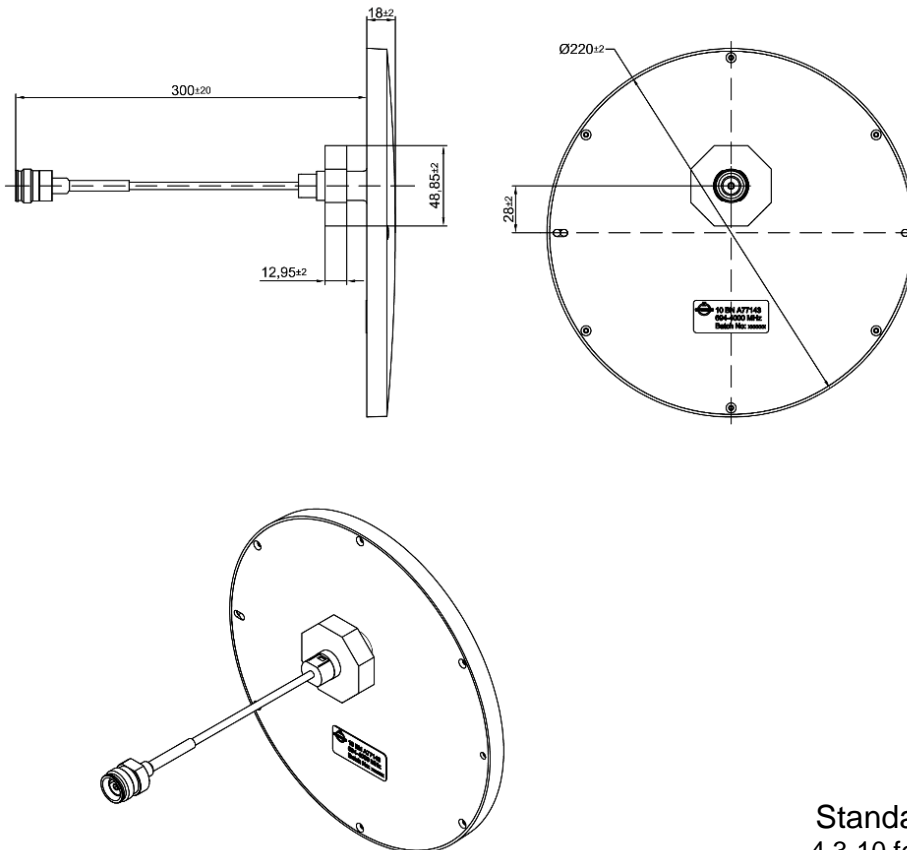


698-960MHz

1710-2170MHz

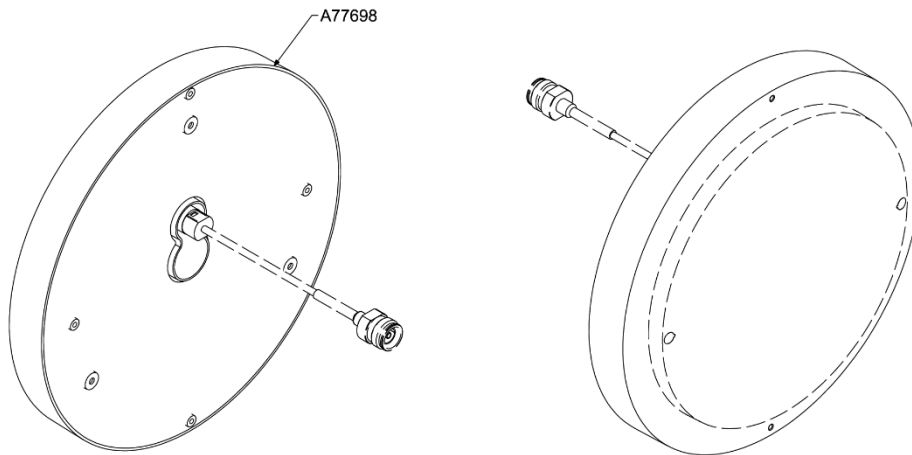
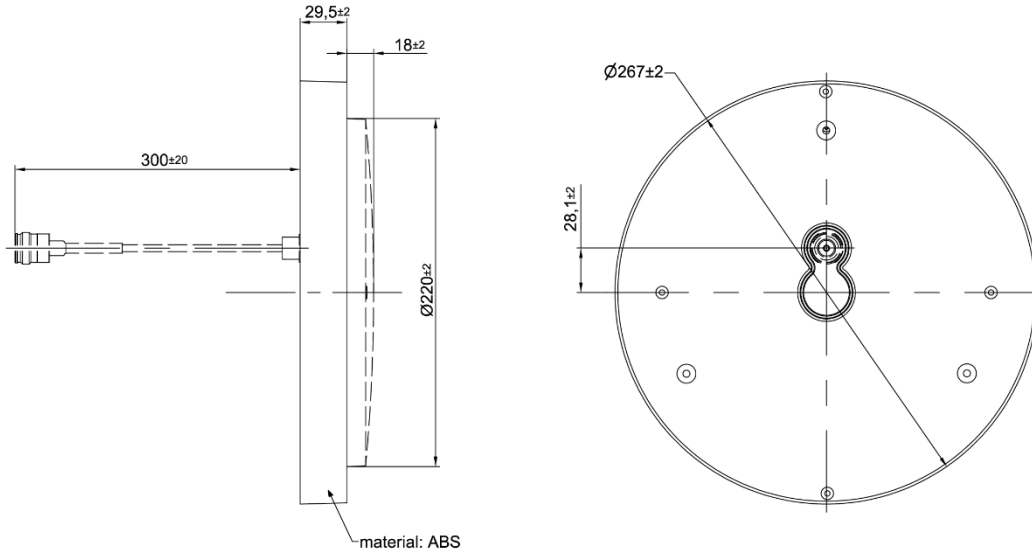
2170-2700MHz

Dimensions and mounting:



Standard:
4.3-10 female (50 ohms): IEC 61169-54

Absorbing/Mounting accessory BN A77698 (optional)



Subject to change without notice