

Coaxial Two Way Switch (DPDT) || BN 941918



Product manual: M36024

Radio frequency characteristics

Interface type (4 connections)	3 1/8" EIA according to EN 122150 (threaded flanges)		
Characteristic impedance	50 Ω		
Frequency range	0 to 100 MHz	100 to 230 MHz	230 to 860 MHz
VSWR, max.	1.03	1.03	1.05
Isolation, min.	75 dB		
Insertion loss, max.	0.05 dB		
Average power capability * at ambient temperature -10 to +45°C	70.0 kW	46.0 kW	24.0 kW
Peak voltage capability *	13.3 kV		

Electrical and mechanical data

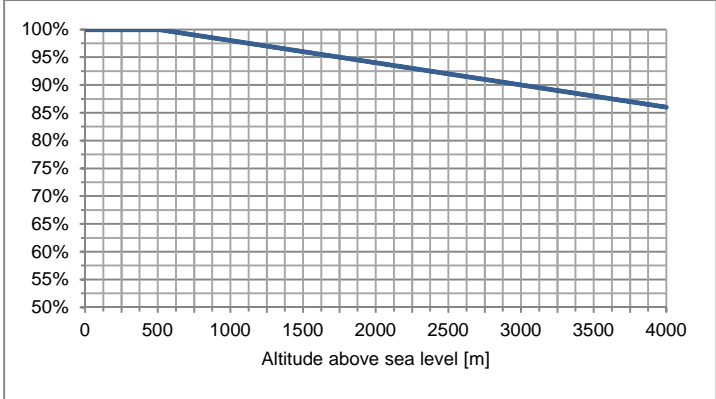
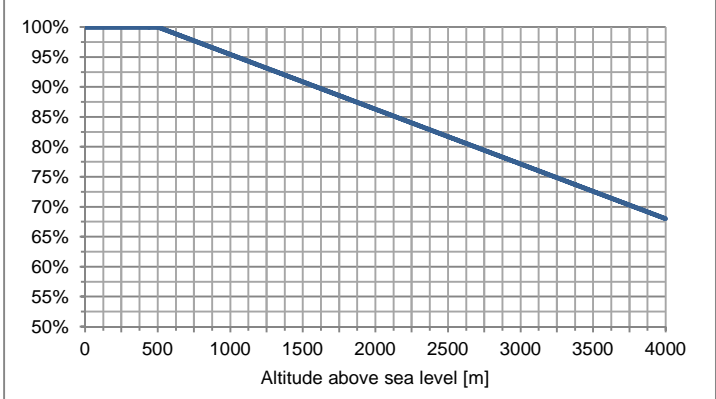
Switch type	Two way switch, DPDT	
Actuator type	Motor drive, latching, self cutoff	
Connector J2 ** for mains connection	5 pole SPINNER connector BN 126920, certified according to VDE-Reg. No. B687, DIN EN 61984: 2009-11; EN 61984: 2009	
Mains connection	L, N, PE, TN-System	
Operating	Operating voltage	187 to 253 V AC 50/60 Hz
	Current, typ. ***	1 A
	Nominal fuse	The switch must be externally fused by time-delay, 2 A
Connector J1 ** for control, interlock contacts and signaling	25 pole connector according to DIN 41652 / IEC 807-2	
Control	Control voltage	SELV circuits according to IEC-EN-60950-1, 8 to 31 V DC
	Current, typ. ***	22 mA
	Nominal fuse	The circuit must be externally fused to 0.5 A

Template TD-00002J

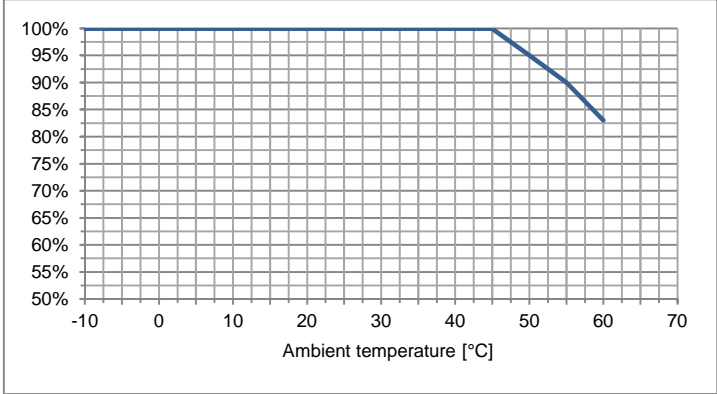
Coaxial Two Way Switch (DPDT) || BN 941918

Signal contacts Interlock contacts	Lead time typ.***	50 ms (the interlock/signal contacts open 50 ms before and close 50 ms after switching of the RF contacts)
	Maximum ratings	SELV circuits according to IEC-EN-60950-1, 42.4 V ACpk / 60 V DC / 0.5 A
	Nominal fuse	The circuit must be externally limited to 0.5 A
Switching time, typ.***		0.2 s
Command hold time, min.		0.2 s (during this time, the voltage at control input must not change)
Switching frequency, max.		10 operations per minute
Life, min.		250,000 operations
Weight, approx.		10.5 kg

Environmental conditions

Operational conditions	ETSI EN 300 019-1-3 V2.3.2 (2009-1) class 3.1 N																				
Ambient temperature ****	-10 to +60°C																				
Condensation	Not allowed																				
Relative humidity, max.	95%																				
Derating of input power with increasing altitude	<p>The maximum input power can be applied up to 500 m or 1600 ft above sea level unless noted otherwise in the data sheet. Above this height the maximum input power must be reduced as shown in the diagram.</p>  <table border="1"> <caption>Derating of input power with increasing altitude</caption> <thead> <tr> <th>Altitude above sea level [m]</th> <th>Percentage</th> </tr> </thead> <tbody> <tr><td>0</td><td>100%</td></tr> <tr><td>500</td><td>100%</td></tr> <tr><td>1000</td><td>98%</td></tr> <tr><td>1500</td><td>96%</td></tr> <tr><td>2000</td><td>94%</td></tr> <tr><td>2500</td><td>92%</td></tr> <tr><td>3000</td><td>90%</td></tr> <tr><td>3500</td><td>88%</td></tr> <tr><td>4000</td><td>85%</td></tr> </tbody> </table>	Altitude above sea level [m]	Percentage	0	100%	500	100%	1000	98%	1500	96%	2000	94%	2500	92%	3000	90%	3500	88%	4000	85%
Altitude above sea level [m]	Percentage																				
0	100%																				
500	100%																				
1000	98%																				
1500	96%																				
2000	94%																				
2500	92%																				
3000	90%																				
3500	88%																				
4000	85%																				
Derating of voltage with increasing altitude	<p>The maximum voltage can be applied up to 500 m or 1600 ft above sea level unless noted otherwise in the data sheet. Above this height the voltage must be reduced as shown in the diagram.</p>  <table border="1"> <caption>Derating of voltage with increasing altitude</caption> <thead> <tr> <th>Altitude above sea level [m]</th> <th>Percentage</th> </tr> </thead> <tbody> <tr><td>0</td><td>100%</td></tr> <tr><td>500</td><td>100%</td></tr> <tr><td>1000</td><td>92%</td></tr> <tr><td>1500</td><td>84%</td></tr> <tr><td>2000</td><td>76%</td></tr> <tr><td>2500</td><td>68%</td></tr> <tr><td>3000</td><td>60%</td></tr> <tr><td>3500</td><td>52%</td></tr> <tr><td>4000</td><td>68%</td></tr> </tbody> </table>	Altitude above sea level [m]	Percentage	0	100%	500	100%	1000	92%	1500	84%	2000	76%	2500	68%	3000	60%	3500	52%	4000	68%
Altitude above sea level [m]	Percentage																				
0	100%																				
500	100%																				
1000	92%																				
1500	84%																				
2000	76%																				
2500	68%																				
3000	60%																				
3500	52%																				
4000	68%																				

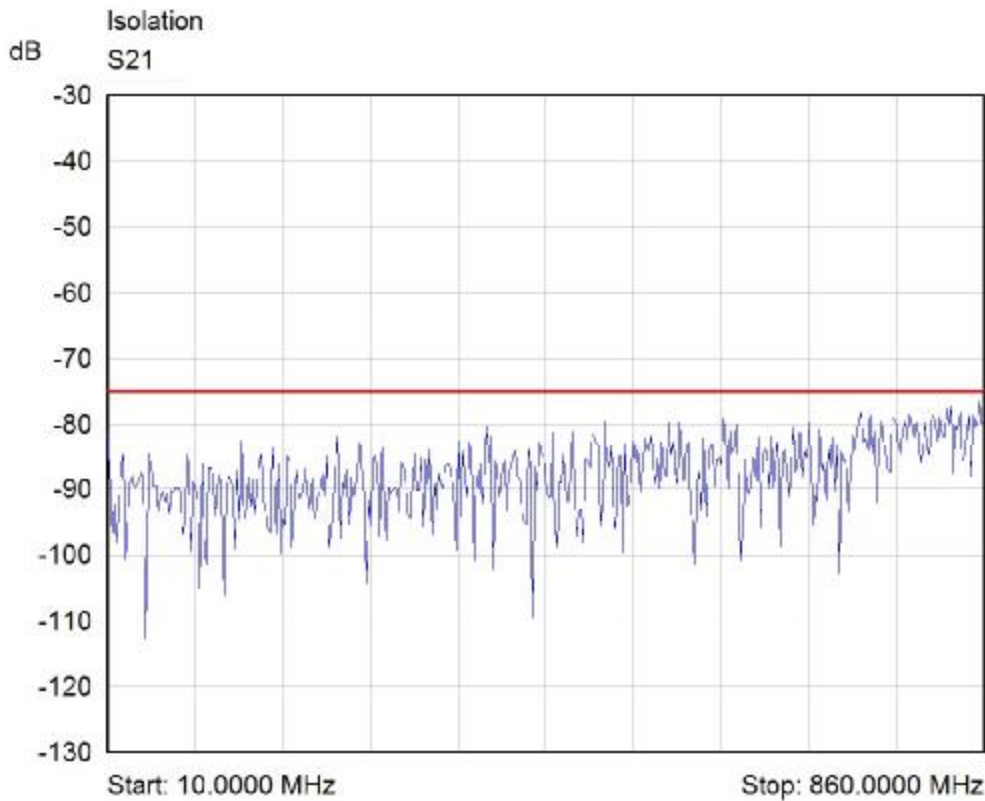
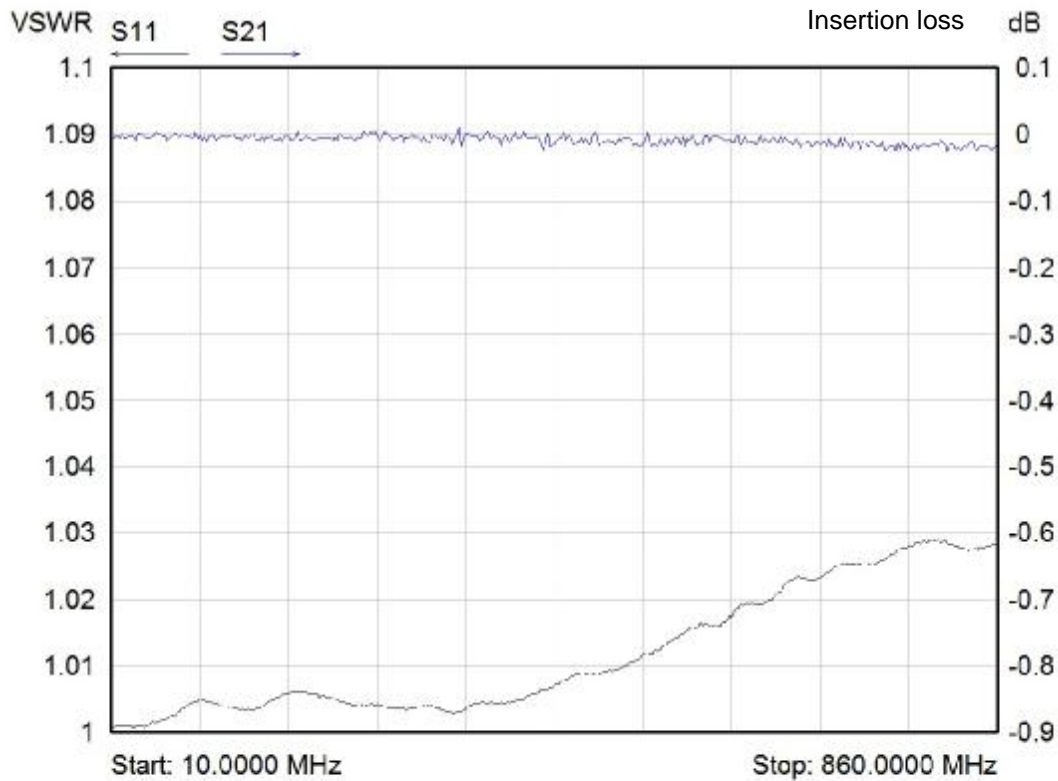
Coaxial Two Way Switch (DPDT) || BN 941918

<p>Derating of input power with increasing ambient temperature</p>	<p>The maximum input power can be applied up to +45°C ambient temperature unless noted otherwise in the data sheet. Above this ambient temperature the maximum input power must be reduced as shown in the diagram.</p>  <table border="1"> <caption>Derating of input power data points</caption> <thead> <tr> <th>Ambient temperature [°C]</th> <th>Input power (%)</th> </tr> </thead> <tbody> <tr><td>-10</td><td>100</td></tr> <tr><td>0</td><td>100</td></tr> <tr><td>10</td><td>100</td></tr> <tr><td>20</td><td>100</td></tr> <tr><td>30</td><td>100</td></tr> <tr><td>40</td><td>100</td></tr> <tr><td>45</td><td>100</td></tr> <tr><td>50</td><td>95</td></tr> <tr><td>60</td><td>82</td></tr> </tbody> </table>	Ambient temperature [°C]	Input power (%)	-10	100	0	100	10	100	20	100	30	100	40	100	45	100	50	95	60	82
Ambient temperature [°C]	Input power (%)																				
-10	100																				
0	100																				
10	100																				
20	100																				
30	100																				
40	100																				
45	100																				
50	95																				
60	82																				
<p>Max. altitude above sea level</p>	<p>4,000 m or 13,120 ft according to IEC EN 60664-1</p>																				
<p>Protection class</p>	<p>I according to IEC EN 61140</p>																				
<p>IP protection level</p>	<p>IP40 according to IEC EN 60529 (all interfaces equipped with appropriate gaskets)</p>																				
<p>Installation position</p>	<p>Any</p>																				
<p>Transport conditions</p>	<p>ETSI EN 300 019-1-2 V2.1.4 (2003-04) class 2.2</p>																				
<p>Ambient temperature</p>	<p>-25 to +70°C</p>																				
<p>Rain, condensation, icing</p>	<p>Not allowed</p>																				
<p>Storage conditions</p>	<p>ETSI EN 300 019-1-1 V2.1.4 (2003-04) class 1.2</p>																				
<p>Ambient temperature</p>	<p>-10 to +60°C</p>																				
<p>Rain, condensation, icing</p>	<p>Not allowed</p>																				

- * *Standard conditions:*
Dielectric: Dry air under standard pressure at sea level (p = 1013 hPa)
Load VSWR, max. 1.0 (no standing wave)
No modulation, sinusoidal carrier only
- ** *Suitable mating connector included*
- *** *At room temperature and nominal voltage 230 V AC*
- **** *Extended temperature range on request*

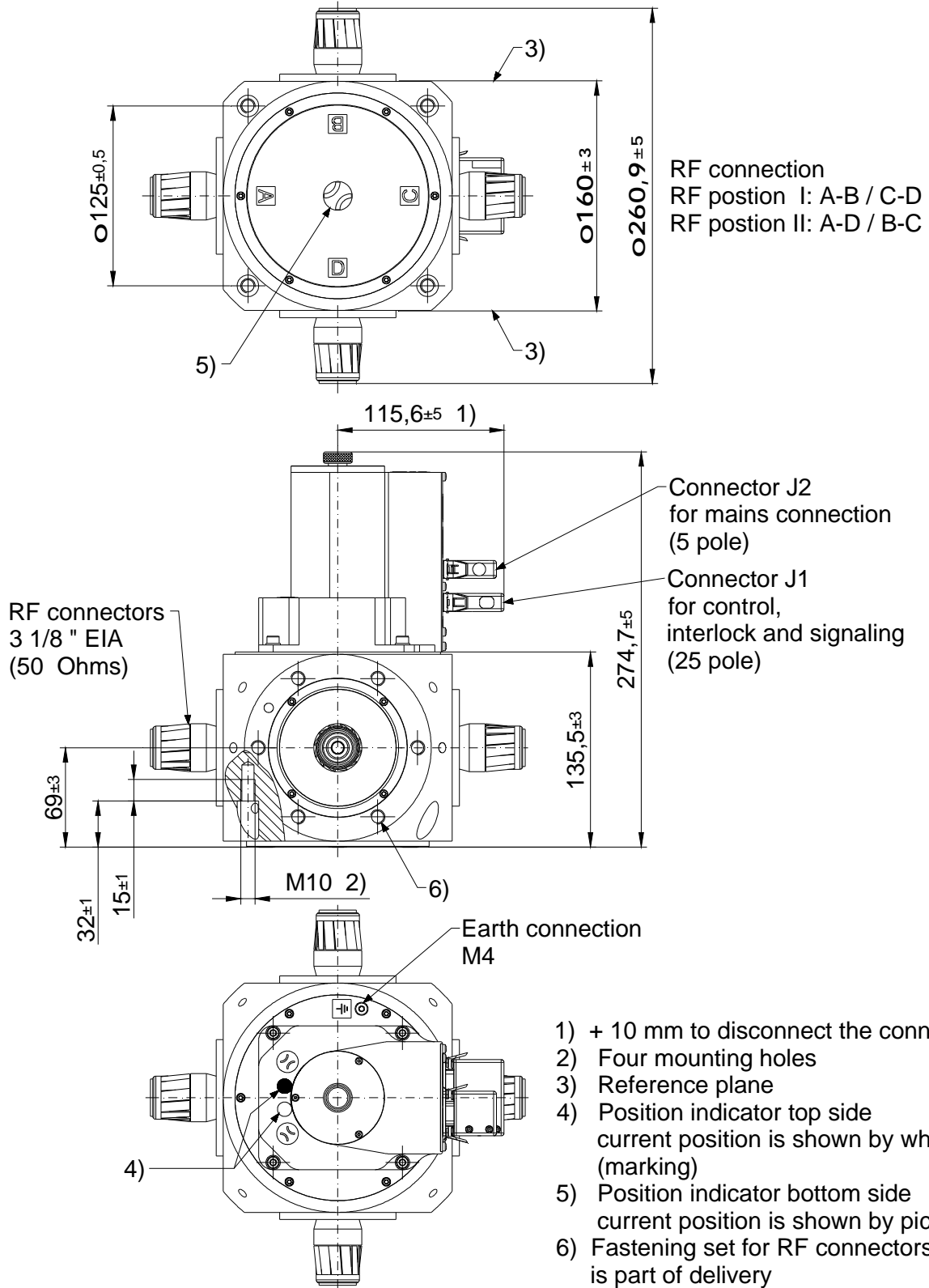
Coaxial Two Way Switch (DPDT) || BN 941918

Typical diagrams



Coaxial Two Way Switch (DPDT) || BN 941918

Outline (all dimensions in millimeters)



Coaxial Two Way Switch (DPDT) || BN 941918

Circuit diagram (B41002-CD, Issue H)

HF-Pos. II RF pos. II
 $t = 50\text{ ms typ.}^*)$

HF-Pos. I RF pos. I
 $t = 50\text{ ms typ.}^*)$

*) Bei Raumtemperatur und Nennspannung 230 V AC
 *) At room temperature and nominal voltage 230 V AC

25-pol. Stecker (DIN 41652)
 Maximal zulässige Werte 42,4 V AC_{PK} / 60 V DC / 0,5 A
 25 pole connector (DIN 41652)
 Maximum ratings 42,4 V AC_{PK} / 60 V DC / 0,5 A

Trägersicherheitskontakte
 Interlock contacts

Signalkontakte
 Signal contacts

Es darf nicht gleichzeitig HF-Pos. I und HF-Pos. II angesteuert werden, da dies zur Beschädigung des Schalters führt
 RF pos. I and RF pos. II must not be accessed at the same time, this will lead to a switch damage

Ansteuerspannung
 Control voltage
 Uc: 8 ... 31 V DC

Betriebsspannung
 Operating voltage
 187 ... 253 V AC 50/60 Hz

Achtung:
 Gerät ist extern mit 2 AT abzuschirmen!

Attention:
 The switch must be externally shielded by time-delay 2 A

5-pol. Stecker
 BN 126920
 VDE Reg. No. B687

5-pol. Stecker
 BN 126919
 VDE Reg. No. B687

Schalter dargestellt in HF-Position I
 Switch shown in RF position I

NC ≡ normally closed
 NO ≡ normally opened
 Stellung, wenn Mikroschalter nicht gedrückt ist
 Position if microswitch is not pushed

1) Bei Verwendung als Umschalter muss ein Anschluss abgeschlossen werden
 1) If used as a change-over switch (SPDT) one port must be terminated

Achtung: Signalkontakte auch als Trägersicherheitskontakte verwendbar:
 Attention: Signal contacts can be also used as interlock contacts

Messstab / Scale
1:1

Projektion E:
 Name:
 Datum:
 Erstellt:
 Created:
 Geprüft:
 Checked:
 Hupläufer
 Spinner GmbH
 Ergänzungs-Nr.:
 D-80335 München

DIN ISO 2768mH
 General tolerances: 2768mH

Rechnung:
 Title:
circuit diagram
coaxial two way switch 187 to 253 V AC
 control voltage 8 to 31 V DC

Zeichnungs-Nr.:
B41002-CD

Format: Blatt:
Format: Sheet:
Format: A3
 Zeichnungs-Nr. / Drawing No.:
 Blatt / Sheet: / of:

Template TD-00002J

This drawing is proprietary to us. All rights reserved. Any use, transfer or reproduction of the drawing or the know-how contained therein requires our express consent. Diese Zeichnung ist unser Eigentum. Verwendung, Vervielfältigung, Weitergabe der Zeichnung oder das daran enthaltene Know-how an Dritte nur mit unserer ausdrücklichen Genehmigung.

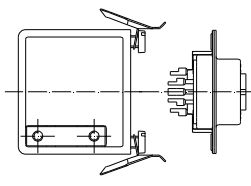
Coaxial Two Way Switch (DPDT) || BN 941918

Cable socket (126919-0E, Issue D)

© 1999 Spinner GmbH Elektrotechnische Fabrik
 This drawing is proprietary to us. All rights reserved.
 Any disclosure or copying without our express consent.
 Any knowledge contained therein requires our express consent.

Anleitung für den Kabelanschluss Instructions for cable connection

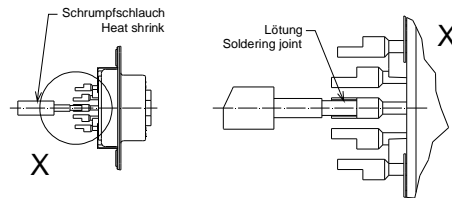
1. Entfernen des Schutzgehäuses
Removing of the protective housing



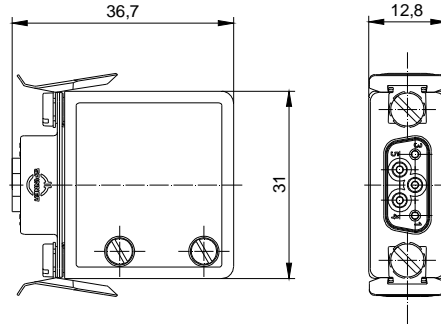
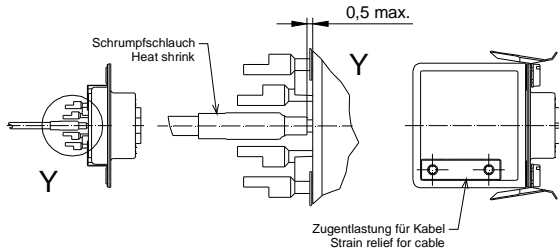
2. Absetzen der Kabelzitten
Trimming of the cable strands



3. Anbringen der drei Schrumpfschläuche (PIN 2/4/5)
3.a Placing of the three heat shrinks (pins 2/4/5)
3.b Lötten der fünf Kabelzitten
3.b Soldering of the five cable strands



4. Aufschmumpfen der drei Schrumpfschläuche (PIN 2/4/5)
4.a Shrinking three heat shrinks (pins 2/4/5)
4.b Montage des Schutzgehäuses
4.b Assembly of the protective housing



Technical data

5-polige Kabelkupplung 5 pole cable socket	ohne Schaltleistung Without breaking capacity
Bemessungsspannung Rated voltage	250 V AC
Bemessungsstrom Rated current	2 A
Bemessungsstoßspannung Rated impulse voltage	2.5 kV
Polzahl Number of poles	3P + 2PE
Anschlussart Kind of termination	Lötanschluss Solder termination
Leiterquerschnitt Cross section area	Max. 0.75 mm ² / min. 0.50 mm ²
Kabeldurchmesser Values for cable clamp	Ø 6 mm ... Ø 8 mm
Temperaturbereich Temperature range	-25 °C ... +85 °C
Steckzyklen Operation cycles	10
Schutzart Degree of protection	IP 20 nach / acc. to IEC EN 60529
Verschmutzungsgrad Degree of pollution	2
Max. Einsatzhöhe über N.N. Max. altitude above sea level	4000 m / 13,120 ft nach / acc. to IEC EN 60664-1
Schrumpfschlauch über Pins 2/4/5 Heat shrink above pins 2/4/5	
Zertifiziert nach Certified according to	VDE-Reg.-No. B687 DIN EN 61984: 2009-11; EN 61984: 2009
Zugelassene Steckerleiste Approved plug connector	BN 126920

**Beim Anschluss eines Kabels sind die gültigen Sicherheitsvorschriften zu beachten!
Please attend the valid safety rules for assembling!**

Konstruktionsänderungen vorbehalten
Design is subject to change without notice

Maßangaben in mm Dimensions in mm		Projektion E: Projection E:		Maßstab: / Scale:	
Allgemeintoleranzen: DIN ISO 2768mH General tolerances:		Datum: Date:	Name: Name:	Bezeichnung: Title:	
Index: Revision:	Änd.-Nr.: Issue-No.:	Erstellt: Creator:	Geprüft: Checked:	Kabelkupplung cable socket	
Datum: Date:	Name: Name:	31.01.2011	Frank	5-polig / 5 pole, 250 VAC	
Datum: Date:	Name: Name:	12.12.2013	Hartmann	Zeichnungs-Nr.: Drawing-No.:	
Datum: Date:	Name: Name:	01-10772	03.12.2013	126919-0E	
Datum: Date:	Name: Name:	01-0907	127.02.2013	Format: Format:	Blatt: Sheet: 1
Datum: Date:	Name: Name:	DIV.CORR	01.02.2011	A4	von: of: 1
Datum: Date:	Name: Name:	A	Startindex	31.01.2011	



Template TD-00002J

Diese Zeichnung ist unser Eigentum. Verwendung, Vervielfältigung,
 Weitergabe der Zeichnungen oder des darin enthaltenen
 Know-hows an Dritte nur mit unserer ausdrücklichen Genehmigung.