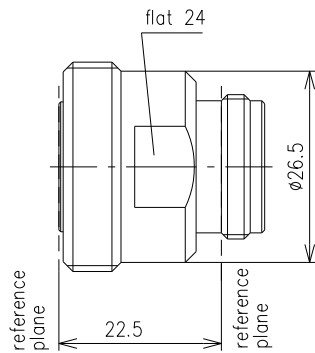


Inter-Series Adapter Type 7-16 Socket to 4.1-9.5 Socket || BN 941810



all dimensions in millimeter

Interface type	7-16 socket (50 Ω) per IEC 61169-4 4.1-9.5 socket (50 Ω) per IEC 60169-11
VSWR, max.	1.02 @ DC to 2 GHz 1.04 @ 2 to 3 GHz 1.08 @ 3 to 6 GHz
Frequency range	DC to 6 GHz
Intermodulation (IM3) @ 2x 20W, max.	-165 dBc
Inner conductor material / surface finish	copper alloy / silver plated
Outer conductor material / surface finish	copper alloy / silver plated
Insulation	PTFE
Sealing	silicone rubber
IP protection level	IP68 per EN 60529 (interface connected with appropriate gasket)
Weight, approx.	75 g