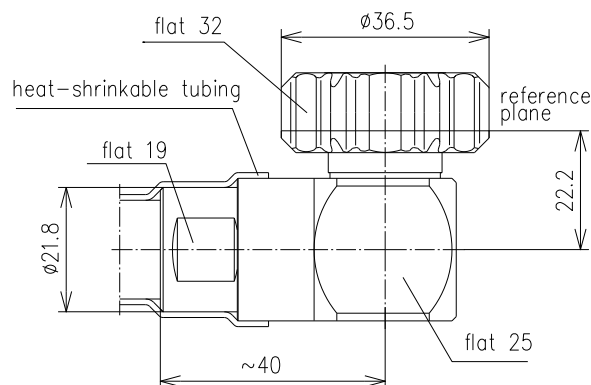


RIGHT ANGLE PLUG FOR LF 1/2"-50-TYPE 7-16



<b>Part number</b>	<b>BN 84 73 91</b>			
Connector type	7-16 plug			
Version	CAF®			
Impedance	50 Ω			
Frequency range	0 - 1 GHz	≤ 1 - 2 GHz	≤ 2 - 2.7 GHz	≤ 2.7 - 3.8 GHz
VSWR	≤ 1.04	≤ 1.06	≤ 1.08	≤ 1.1
Material and surface				
Inner conductor	copper alloy		silver-plated	
Outer conductor	copper alloy		silver-plated	
Other metal parts	copper alloy		bright nickel-plated	
Insulation	PTFE			
Sealing	silicone rubber, EPDM, heat-shrinkable adhesive tubing			
Degree of protection	IP68 (mated)			
Cable compatibility	RFS	LCF 12-50		
Standards	IEC 61169-4			
Installation instructions	M30749			
Weight	approx. 0.19 kg			
Included in delivery	sealing, installation instructions			