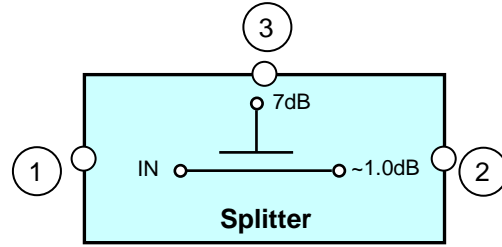


Asymmetric Splitter 7 dB



not binding



block diagram

Electrical characteristics

| | | | | | |
|--|-------------------------------|---------------|---------------|----------------|----------------|
| Part number | BN 818343F001 | | | | |
| Splitting ratio | 1 : 0.2 : 0.8 | | | | |
| Frequency range: | 88 – 136 MHz | 136 – 170 MHz | 170 – 380 MHz | 380 – 1500 MHz | 1.71 – 2.7 GHz |
| Coupling (Secondary line) | 11.5 dB typ. | 9.5 dB typ. | 7 dB ±2 dB | 7 dB ±1 dB | |
| Insertion loss: | ~ 1.0 dB (Main line) | | | | |
| VSWR | ≤ 1.35 (Port 1, 2) * | | | | |
| Impedance | 50 Ohm | | | | |
| Passive intermodulation (IM3), 3rd order @ 2 x 20W | -160 dBc max. / -165 dBc typ. | | | | |
| Power Rating: | 500 W CW (5 kW peak / 20µs) | | | | |

* According to DIN 14024-1

Mechanical characteristics

| | |
|----------------------|--|
| Connectors | 4.3-10 female |
| Dimensions, approx. | See drawing |
| Weight, approx. | 0.55 kg |
| Wall / Mast mounting | to be ordered separately under BN B09499 |

Environmental conditions

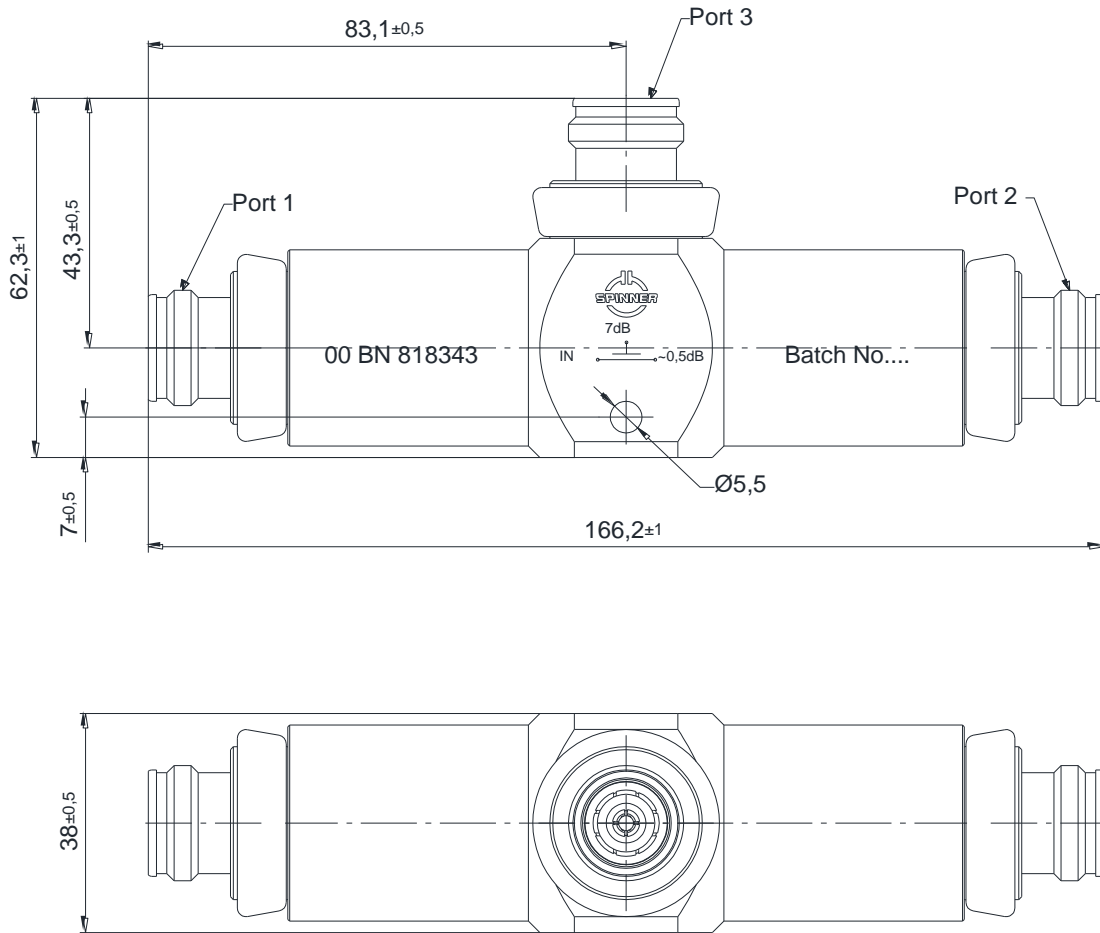
| | |
|-------------------------------------|---|
| Class. of environmental conditions | ETSI EN 300019-1-1 Class 1.2 ETSI EN 300019-1-2 Class 2.3 ETSI EN 300019-1-4 Class 4.1E |
| Degree of protection | IP 68 (Outdoor) |
| Operation Ambient temperature range | -40 °C to +70 °C |
| Storage Ambient temperature range | -40 °C to +85 °C |
| Relative humidity, max. | 95% (non-condensing) |

This document is proprietary to us. All rights reserved. Any use, transfer, or reproduction of this document or the know-how contained therein requires our express consent.

SPINNER GmbH
 Template TD-00002Y

Asymmetric Splitter 7 dB

Outline (all dimensions in millimetre)



Standard:

4.3-10 female (50 ohms): IEC 61169-54

modifications reserved!

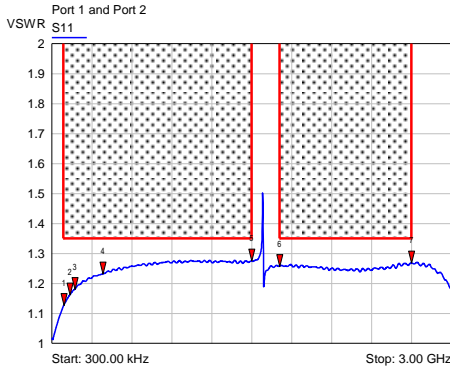
SPINNER GmbH
 This document is proprietary to us.
 All rights reserved. Any use, transfer, or reproduction of this document
 or the know-how contained therein requires our express consent.

Template TD-00002Y

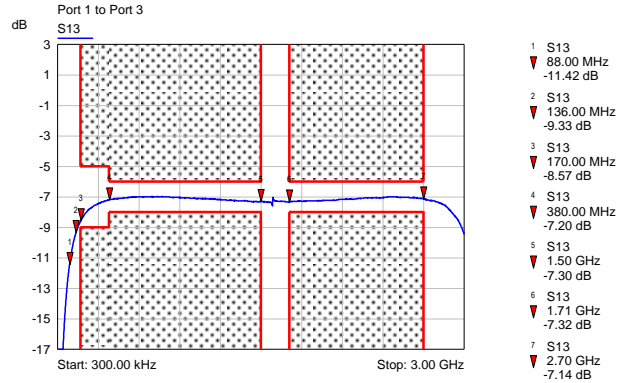
Asymmetric Splitter 7 dB

Measurements:

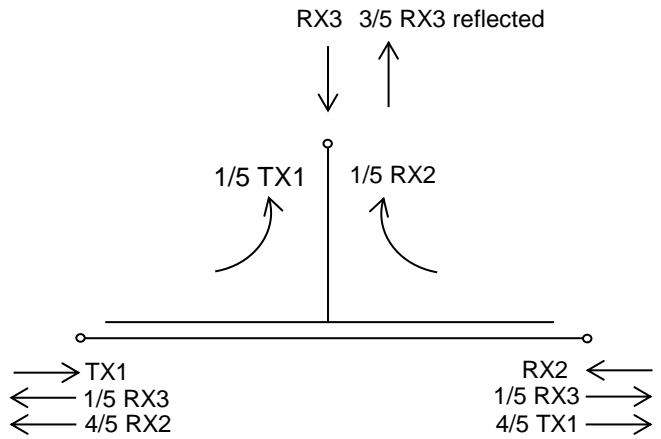
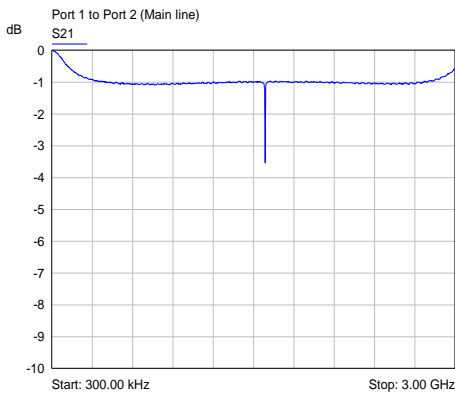
VSWR:



Coupling:



Signal splitting ratios (approximate values, for information only):



This document is proprietary to us. All rights reserved. Any use, transfer, or reproduction of this document or the know-how contained therein requires our express consent.

Template TD-00002Y