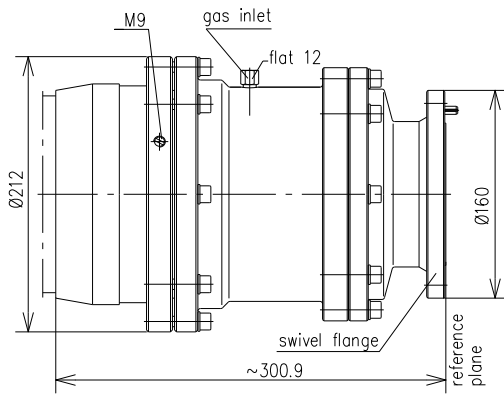


CABLE PLUG FOR AIR DIELECTRIC CABLE 5 1/2"-TYPE 4 1/2" EIA



Part number	BN 65 82 03	
Connector type	4 1/2" EIA	
Impedance	50 Ω	
Frequency range	0 - 860 MHz	
VSWR	≤ 1.02	
Material and surface		
Inner conductor	copper alloy	silver-plated
Outer conductor	copper alloy	silver-plated
Other metal parts	copper alloy stainless steel	bright nickel-plated
Insulation	PTFE	
Sealing	silicone rubber, copper, PLAST 2000®	
Degree of protection	IP68 (pressure-tight up to 4bar/400kPa)	
Cable compatibility	RFS	HCA 550-50
Standards	IEC 60339	
Installation instructions	M25349	
Weight	approx. 25 kg	
Included in delivery	cover, sealing, installation instructions	