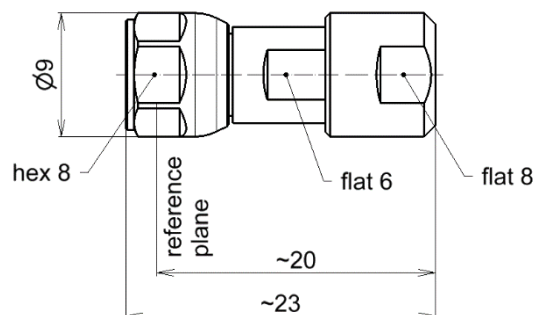


Cable connector 1.85mm-m UT-070-LL / CR085-LL | BN 641919



all dimensions in millimeter

Radio frequency characteristics

Interface type	1.85 mm plug per IEC 61169-32
Frequency range	DC to 70 GHz
Characteristic impedance	50 Ω
Return loss, min. / typ.	28 dB / 30 dB @ DC to 10 GHz 25 dB / 28 dB @ 10 to 20 GHz 22 dB / 25 dB @ 20 to 44 GHz 20 dB / 22 dB @ 44 to 70 GHz

Mechanical characteristics

Cable type	UT-070-LL / CR085-LL
Cable entry type	soldered
Inner conductor material / surface coating	CuBe age hardened / gold-plated
Outer conductor material / surface coating	CuBe / gold-plated copper alloy / gold-plated
Dielectric material	PS
Other parts material / surface coating	CuBe / CuSnZn-plated copper alloy / nickel plated copper alloy / silver-plated
Weight, approx.	8 g

Environmental conditions

Operation	
Operating environment	indoor
Ambient temperature range	-40 to +70°C
Storage	
Ambient temperature range	-40 to +70°C

Applicable documents

Installation instruction	M36501
--------------------------	--------