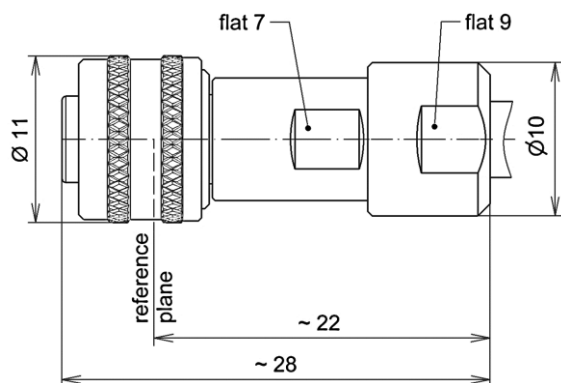


## Cable plug Type 1.5-3.5 Push Pull | BN 641917



All dimensions in millimeter

### Radio frequency characteristics

Interface type	1.5-3.5 mm plug
Frequency range	DC to 10 GHz
Impedance	50 $\Omega$
Return Loss, min.	28 dB @ DC to 10 GHz

### Mechanical characteristics

Cable type	LL142
Cable entry type	soldered
Inner conductor material / surface finish	copper alloy / gold plated
Outer conductor material / surface finish	copper alloy / gold plated copper alloy / CuSnZn plated
Dielectric material	PTFE
Sealing material	silicone rubber
Other metal parts / surface finish	copper alloy / silver plated copper alloy / CuSnZn plated CuBe / CuSnZn plated
Lifetime	> 100 matings
Weight, approx.	11 g

### Environmental conditions

Operating temperature range	-40 to +70 °C
-----------------------------	---------------

### Scope of delivery

Installation instructions	18232A
Heat-shrinkable adhesive tubing	length 40 mm

SPINNER GmbH  
 This document is proprietary to us.  
 All rights reserved. Any use, transfer, or reproduction of this document  
 or the know-how contained therein requires our express consent.

Template TD-00003 | H