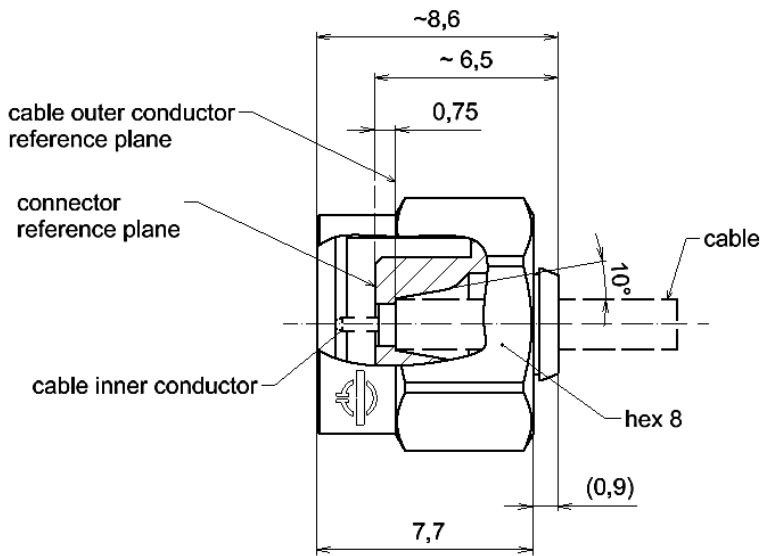


Type 1.85 mm Plug for cable UT-070-(TP)-LL || BN 641795C0002



all dimensions in millimeter

Radio frequency characteristics

Interface type	compatible with 1,85 mm socket per IEC 61169-32
Frequency range	DC to 70 GHz
Impedance	50 Ω
VSWR, max.	1.22 @ DC to 70 GHz

General mechanical data

Outer conductor material / surface finish	copper alloy / gold-plated
Coupling nut / surface finish	copper alloy / CuSnZn-plated
Version	solder
Cable compatibility	UT-070-(TP)-LL
Mechanically compatible with cable	Outer conductor: dia. 1.78 +/- 0,03 mm, Dielectric: dia. max. 1.50

Scope of delivery and accessories

installation instructions	M32097
---------------------------	--------