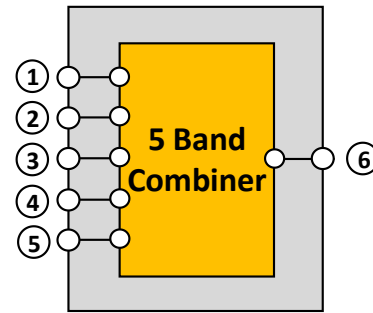


5 Band Combiner 700 – 800 / 900 / 1800 / 2100 / 2600



not binging



block diagram

Electrical characteristics

Part number	BN 572680
Frequency range	
Port 1	694 – 862 MHz
Port 2	880 – 960 MHz
Port 3	1710 – 1880 MHz
Port 4	1920 – 2170 MHz
Port 5	2500 – 2690 MHz
Insertion loss	
Port 1-5 → Port 6	≤ 0.5 dB
VSWR	≤ 1.25
Isolation	≥ 50 dB
DC by-pass	all inputs → output (unidirectional) 3A Max. / AISG Signal (2.176 MHz) per AISG 2.0
Intermodulation products	
3 rd order @ 2 x 20 W	≤ -155 dBc
Surge Protection	3 kA (10/350 µs pulse)
Impedance	50 Ohm
Power Rating	250 W (CW) max. per input port (max combined power 500 W)

Mechanical characteristics

Connectors	4.3-10 female
Dimensions, approx. (Excluding brackets and connectors)	461 x 53 x 190 mm (Width x Height x Depth)
Weight, approx.	8.0 kg
Wall / Mast mounting	Part of delivery

Environmental conditions

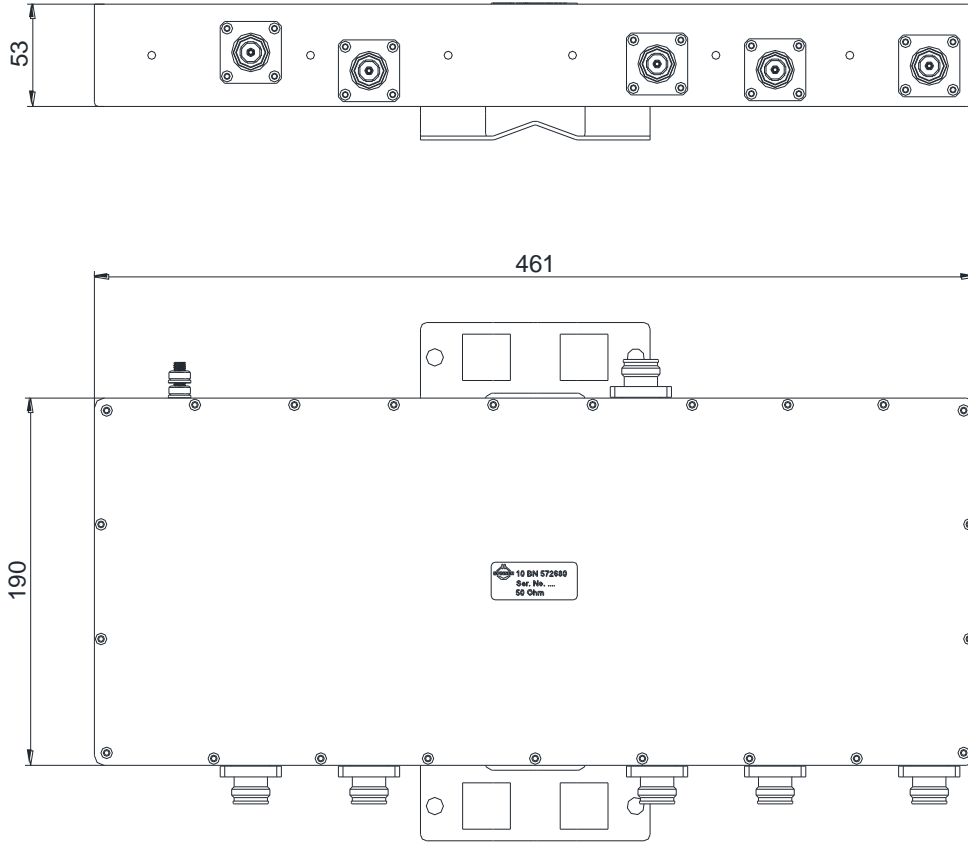
Class. of environmental conditions	ETSI EN 300019-1-1 Class 1.2 ETSI EN 300019-1-2 Class 2.3 ETSI EN 300019-1-4 Class 4.1E
Degree of protection	IP 65 (Outdoor)
Operation Ambient temperature range	-40 °C to +65 °C
Storage Ambient temperature range	-40 °C to +85 °C
Relative humidity, max.	95% (non-condensing)

SPINNER GmbH
 This document is proprietary to us.
 All rights reserved. Any use, transfer, or reproduction of this document
 or the know-how contained therein requires our express consent.

Template TD-00002Y

5 Band Combiner 700 – 800 / 900 / 1800 / 2100 / 2600

Outline (all dimensions in millimeter)



SPINNER GmbH This document is proprietary to us. All rights reserved. Any use, transfer, or reproduction of this document or the know-how contained therein requires our express consent.

Standard:

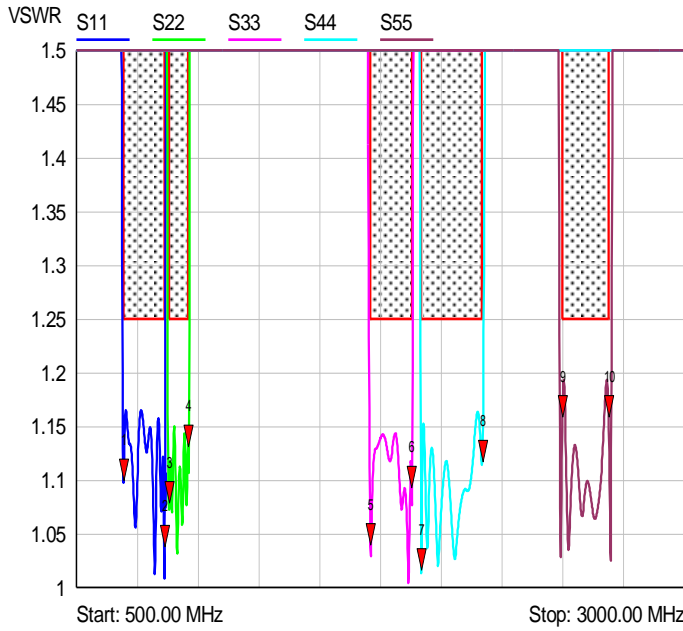
4,3-10 female (50 ohms): IEC 61169-54;

modifications reserved

5 Band Combiner 700 – 800 / 900 / 1800 / 2100 / 2600

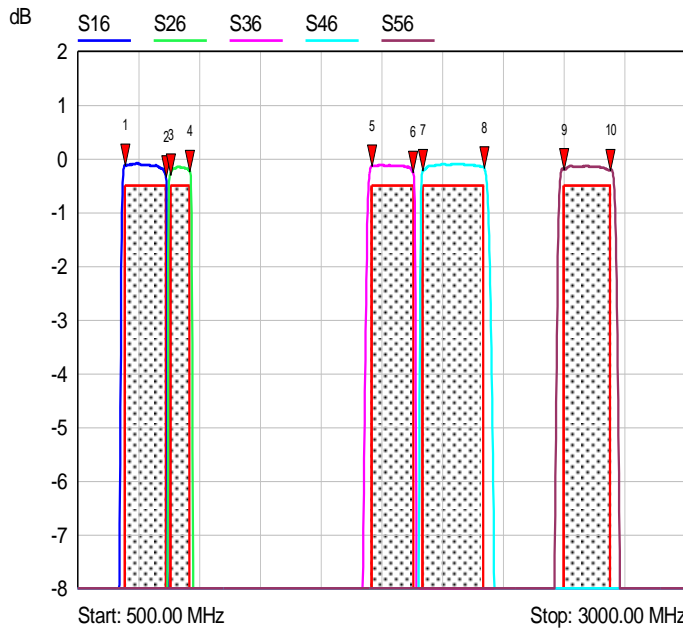
Measurements:

VSWR



Mkr	Trace	X-Axis	Value
1	S11	694.00 MHz	1.10 VSWR
2	S11	862.00 MHz	1.04 VSWR
3	S22	880.00 MHz	1.08 VSWR
4	S22	960.00 MHz	1.13 VSWR
5	S33	1710.00 MHz	1.04 VSWR
6	S33	1880.00 MHz	1.09 VSWR
7	S44	1920.00 MHz	1.02 VSWR
8	S44	2170.00 MHz	1.12 VSWR
9	S55	2500.00 MHz	1.16 VSWR
10	S55	2690.00 MHz	1.16 VSWR

Insertion Loss

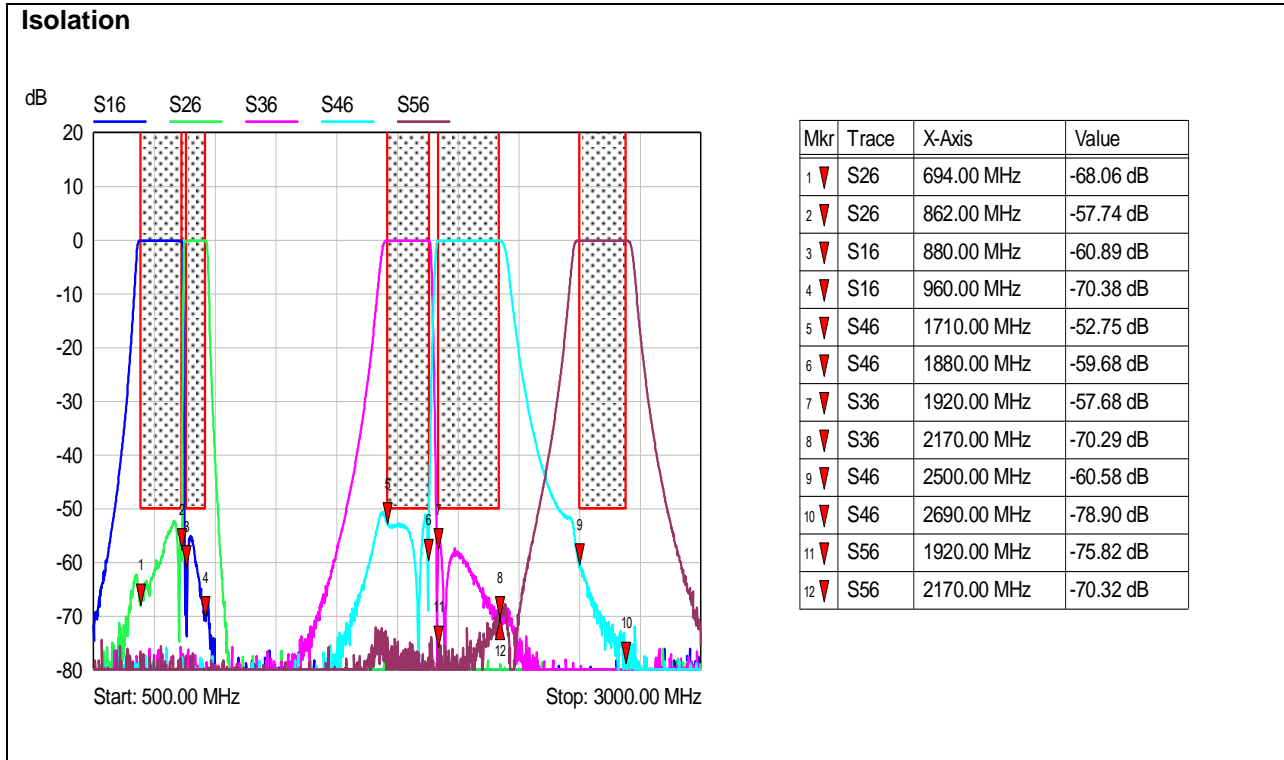


Mkr	Trace	X-Axis	Value
1	S16	694.00 MHz	-0.12 dB
2	S16	862.00 MHz	-0.33 dB
3	S26	880.00 MHz	-0.30 dB
4	S26	960.00 MHz	-0.23 dB
5	S36	1710.00 MHz	-0.13 dB
6	S36	1880.00 MHz	-0.25 dB
7	S46	1920.00 MHz	-0.22 dB
8	S46	2170.00 MHz	-0.16 dB
9	S56	2500.00 MHz	-0.19 dB
10	S56	2690.00 MHz	-0.21 dB

SPINNER GmbH
 This document is proprietary to us.
 All rights reserved. Any use, transfer, or reproduction of this document
 or the know-how contained therein requires our express consent.

Template TD-00002Y

5 Band Combiner 700 – 800 / 900 / 1800 / 2100 / 2600



SPINNER GmbH
 This document is proprietary to us.
 All rights reserved. Any use, transfer, or reproduction of this document
 or the know-how contained therein requires our express consent.

Template TD-00002Y