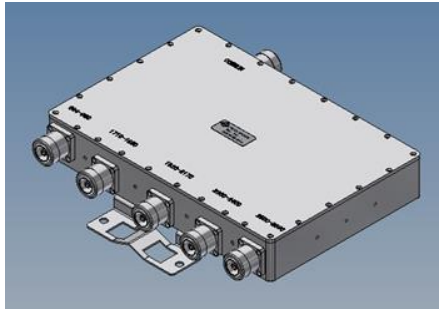
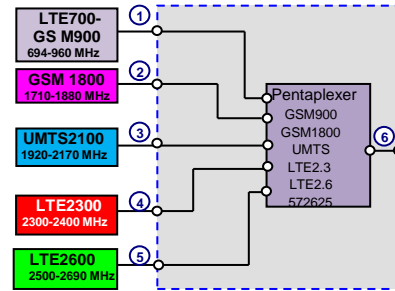


Pentaplexer LTE700-GSM900/GSM1800/UMTS/LTE2300/LTE2600



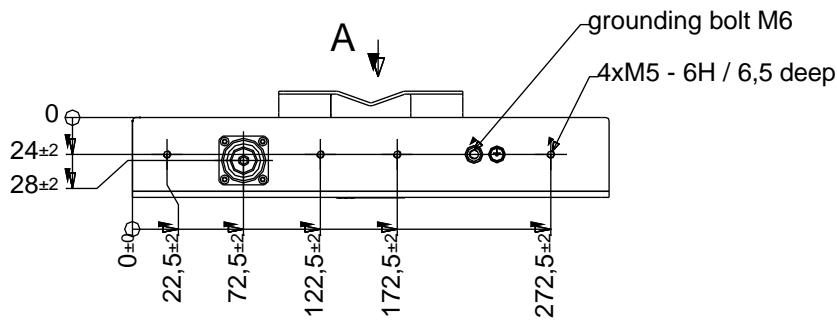
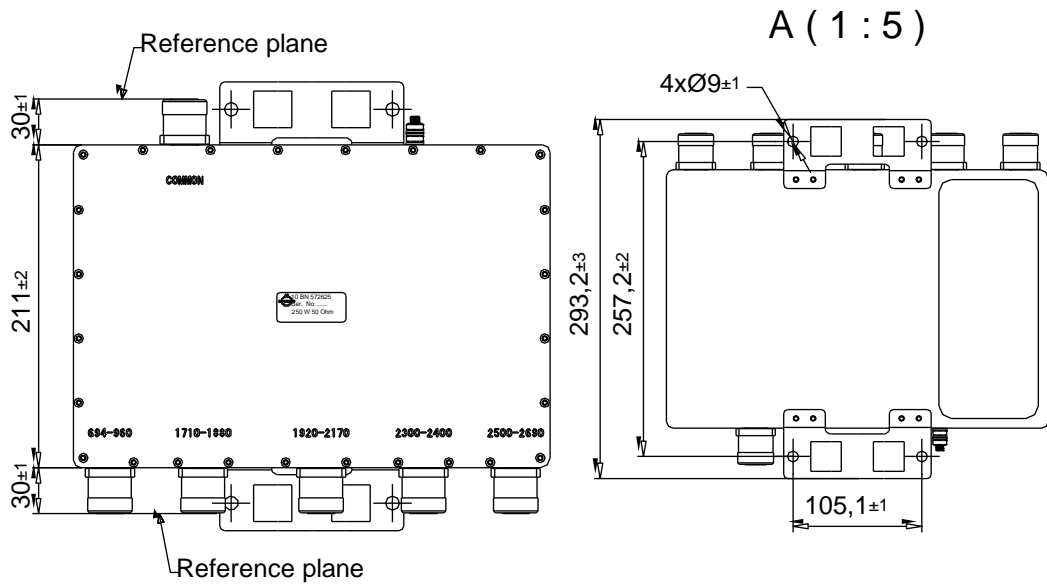
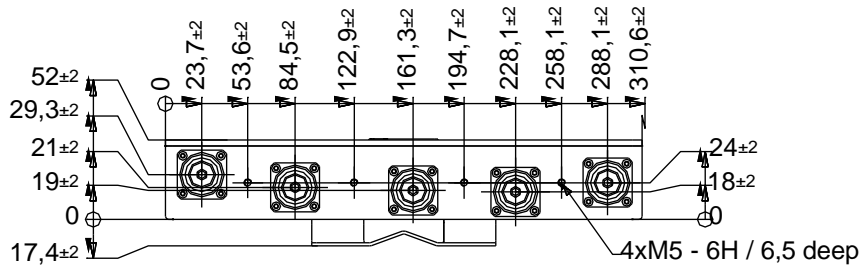
not binding



Block Diagram

Part number	BN 572625	
Connectors	7-16 female (long neck) (50 Ohms)	
Frequency range	Port 1	694 – 960 MHz
	Port 2	1710 – 1880 MHz
	Port 3	1920 – 2170 MHz
	Port 4	2300 – 2400 MHz
	Port 5	2500 – 2690 MHz
Insertion loss	Port 1 → Port 6	≤ 0.2 dB (typ. 0.15 dB)
	Port 2,3,4,5 → Port 6	≤ 0.4 dB (typ. 0.3 dB)
Isolation	Port 1 ↔ Port 2 ↔ Port 3 ↔ Port 4 ↔ Port 5	≥ 50 dB (typ.55 dB)
VSWR	≤ 1.25 (typ. 1.2)	
Power rating	≤ 250 W (CW) per port	
IM – value 3rd order @ 2 x 20W	≤ -155 dBc typical: ≤ -160 dBc	
DC-by-pass	all ports to Port 6 (max. 1A per input max. 60V DC(AISG Standard, 2.0, § 6.4))	
Surge Protection	3 kA (10/350 μs)	
Degree of protection	IP 67 outdoor use	
Environmental conditions	ETSI EN 300019-1-1 Class 1.2 ETSI EN 300019-1-2 Class 2.3 ETSI EN 300019-1-4 Class 4.1E	
Weight	6 kg	
Wall / Mast mounting	part of delivery	
Temperature range	-25 °C – +65 °C	

Dimensions:



Standard:

7-16 female (50 ohms): CECC 22190, IEC 61169-4

modifications reserved

Measurements:

