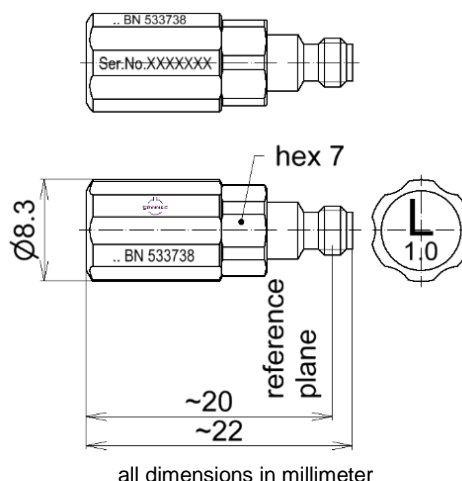


Matched load; precision, 1.0 mm socket | BN 535738



Radio frequency characteristics

Interface type	1.0 mm socket per IEC 61169-31
Frequency range	DC to 116.5 GHz (resonance free up to 120 GHz)
Characteristic impedance	50 Ω
DC-resistance	50 Ω ± 0.5 Ω
Average power rating	50 mW
Return loss, min	31 dB @ DC to 10 GHz 25 dB @ 10 to 26.5 GHz 22 dB @ 26.5 to 70 GHz 17 (20 tbc) dB @ 70 to 116.5 GHz
Defined by:	determination of S-parameters

Mechanical characteristics

Inner conductor material / surface coating	CuBe age hardened / gold-plated
Outer conductor material / surface coating	CuBe / gold-plated copper alloy / gold-plated
Other parts material / surface coating	copper alloy / gold-plated CuBe / CuSnZn-plated
Weight, approx.	10 g
Marking	laser engraving

Environmental conditions

<b>Operation</b>	
Ambient temperature range	+18 to +28°C
Relative humidity, max.	95% (non-condensing)
<b>Storage</b>	
Ambient temperature range	-40 to +70°C
Relative humidity, max.	95% (non-condensing)

Scope of delivery and accessories

Scope of delivery	certificate of calibration, protective tube, handling instructions, USB-flash drive with determined S-parameter file
-------------------	---

SPINNER GmbH  
 This document is proprietary to us.  
 All rights reserved. Any use, transfer, or reproduction of this document  
 or the know-how contained therein requires our express consent.

Template Normal.dotm | Issue AB



## Matched load; precision, 1.0 mm socket | BN 535738

### Applicable documents

Handling instructions	M36081
-----------------------	--------

SPINNER GmbH  
This document is proprietary to us.  
All rights reserved. Any use, transfer, or reproduction of this document  
or the know-how contained therein requires our express consent.