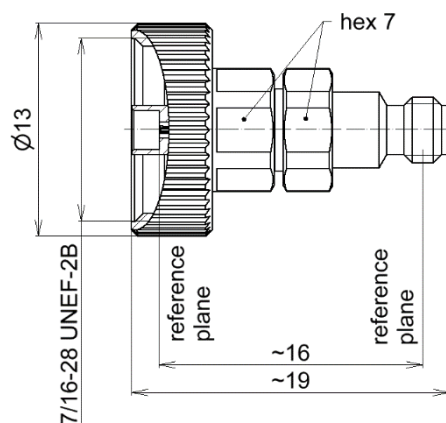


Adapter precision; 1.0 mm socket RUG to 1.0 mm socket | BN 535129



all dimensions in millimeter

Radio frequency characteristics

Interface type	1.0 mm socket RUG to 1.0 mm socket per IEC 61169-31
Frequency range	DC to 116.5 GHz (resonance free up to 120 GHz)
Characteristic impedance	50 Ω
Reflection phase accuracy, min	28 dB @ DC to 20 GHz 20 dB @ 20 to 50 GHz 17 dB @ 50 to 70 GHz 14 dB @ 70 to 120 GHz
Insertion loss, max. / typ.	0.7 dB / 0.5 dB

Mechanical characteristics

Inner conductor material / surface coating	CuBe age hardened / gold-plated
Outer conductor material / surface coating	CuBe / gold-plated copper alloy / gold-plated
Dielectric material	PS, PEI
Weight, approx.	7 g
Marking	laser engraving

Environmental conditions

Operation	
Operating environment	indoor
Ambient temperature range	+18 to +28°C
Relative humidity, max.	95% (non-condensing)
Storage	
Ambient temperature range	-40 to +70°C
Relative humidity, max.	95% (non-condensing)

Scope of delivery and accessories

Scope of delivery	test report, protective caps
-------------------	------------------------------

SPINNER GmbH
 This document is proprietary to us.
 All rights reserved. Any use, transfer, or reproduction of this document
 or the know-how contained therein requires our express consent.

Template TD-00002.dotx | Issue AB