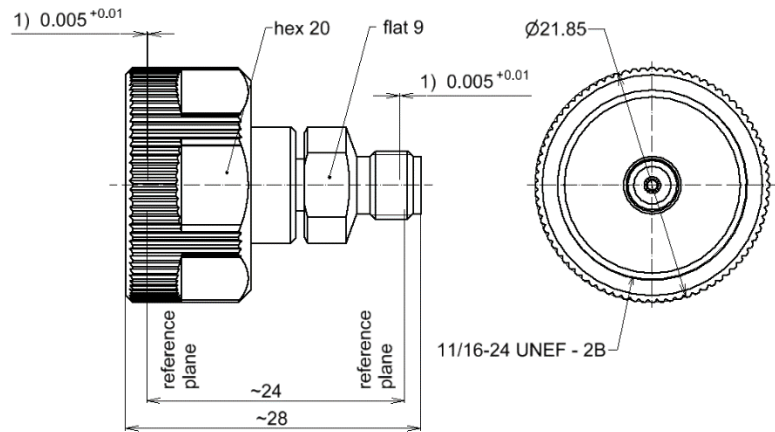


Precision Adapter || BN 535119



1) Pin depth (inner conductor recessed)

all dimensions in millimeter

**Radio frequency characteristics**

Interface type	3.5 mm socket, ruggedized by enlarged thread / 3.5 mm socket per IEC 60169-23
Frequency range	DC to 33 GHz
Impedance	50 Ω
Return loss, min.	34 dB @ DC to 4 GHz 30 dB @ 4 to 26.5 GHz 26 dB @ 26.5 to 33 GHz

**Mechanical characteristics**

Inner conductor material / surface finish	beryllium copper, age hardened / gold-plated
Outer conductor material / surface finish	beryllium copper / gold-plated
Weight, approx.	0.04 kg
Marking	laser engraving

**Environmental conditions**

<b>Operation</b>	
Ambient temperature range	+18 to +28°C
<b>Storage</b>	
Ambient temperature range	-40 to +70°C
Relative humidity	95% (non-condensing)

**Scope of delivery and accessories**

Scope of delivery	protective caps
-------------------	-----------------

This document is proprietary to us. All rights reserved. Any use, transfer, or reproduction of this document or the know-how contained therein requires our express consent.

SPINNER GmbH  
 Template TD-00002Y