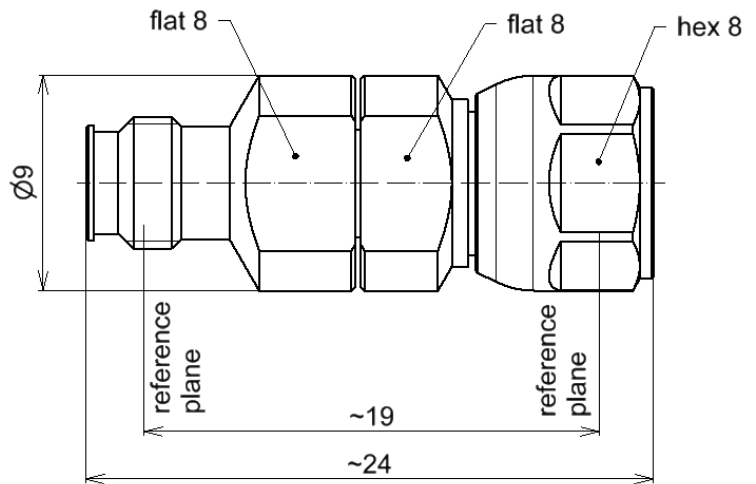


Precision Inter-series Adaptor || BN 534922R000



all dimensions in millimeter

Radio frequency characteristics

Interface type	1.35 mm socket per IEEE Std 287 / 1.85 mm plug per IEC 61169-32
Frequency range	DC to 70 GHz
Impedance	50 Ω
Return loss, min.	28 dB @ DC to 20 GHz 20 dB @ 20 to 50 GHz 17 dB @ 50 to 70 GHz

Mechanical characteristics

Center conductor material / surface finish	CuBe age hardened / gold-plated
Outer conductor material / surface finish	CuBe / gold-plated
Insulation	PS
Other metallic parts / surface finish	CuBe / CuSnZn-plated
Weight, approx.	0.01 kg
Marking	laser engraving

Environmental conditions

<b>Operation</b>	
Ambient temperature range	+18 to +28°C
<b>Storage</b>	
Ambient temperature range	-40 to +70°C
Relative humidity	95% (non-condensing)

Scope of delivery and accessories

Packaging	transparent plastic tube
-----------	--------------------------

SPINNER GmbH  
 This document is proprietary to us.  
 All rights reserved. Any use, transfer, or reproduction of this document  
 or the know-how contained therein requires our express consent.