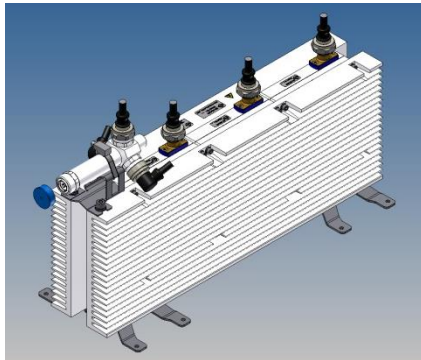
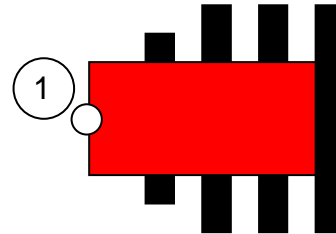


Coaxial Load 400W low IM



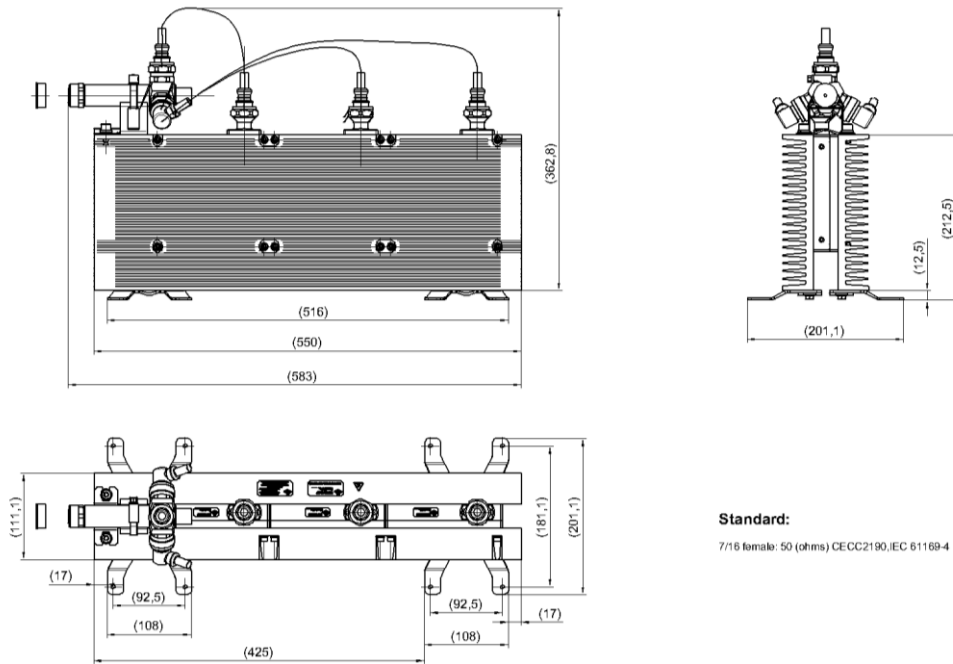
not binding



block diagram

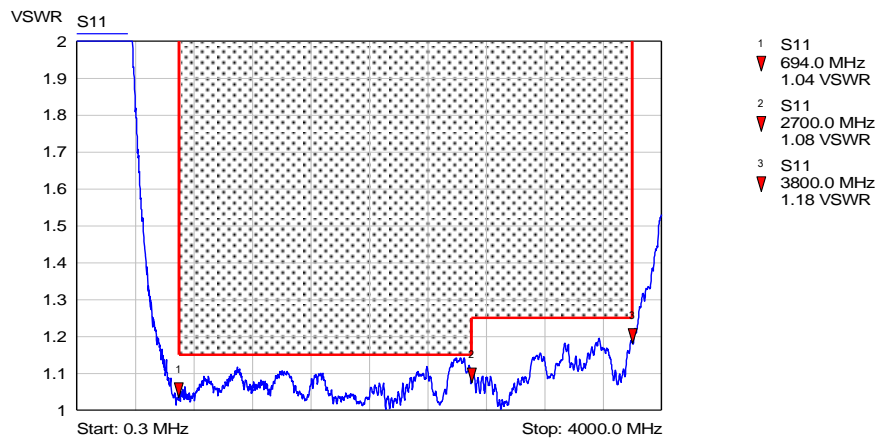
Part number	BN 534267
Connector:	7-16 socket (50 Ohms)
Frequency range:	694 – 3800 MHz
Power rating:	≤ 400 W
Intermodulation products: 3rd order @ 2 x 20 W	≤ -155 dBc (typ. ≤ -160 dBc) @ 694 – 800 MHz ≤ -160 dBc (typ. ≤ -165 dBc) @ 800 – 3000 MHz
VSWR	≤ 1.15 @ 694 – 2700 MHz ≤ 1.25 @ 2700 – 3800 MHz
Ambient temperature range	-40 °C ... +25 °C (full power rating) +25 °C ... +85 °C (limited power rating, see derating curve)
Degree of protection:	IP 67
Environmental conditions:	ETSI EN 300019-1-1 Class 1.2 ETSI EN 300019-1-2 Class 2.3 ETSI EN 300019-1-4 Class 4.1E
Weight:	Approx. 18 kg
Wall/ Mast mounting	part of delivery

Dimensions:



Standard:
7/16 female: 50 (ohms) CECC2190, IEC 61169-4

Measurements:



Temperature derating diagram:

