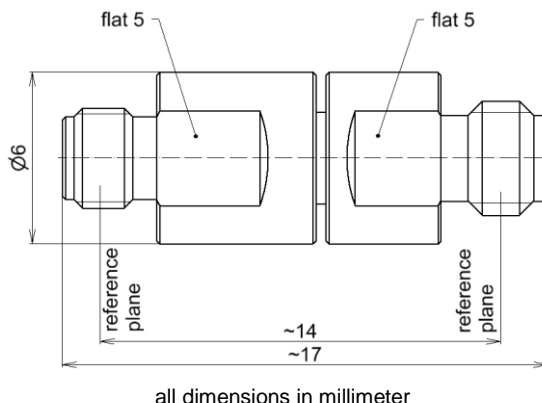


Adapter; precision, 1.0 mm socket, 0.8 mm socket | BN 533167



**Radio frequency characteristics**

Interface type	1.0 mm socket per IEEE Std 287 0.8 mm socket per IEEE Std 287
Frequency range	DC to 120 GHz
Characteristic impedance	50 Ω
Return loss, min.	25 dB @ DC to 26.5 GHz 22 dB @ 26.5 to 50 GHz 18 dB @ 50 to 90 GHz 15 dB @ 90 to 120 GHz
Repeatability, min.	45 dB
Insertion loss, max. / typ.	0.7 dB / 0.5 dB

**Mechanical characteristics**

Inner conductor material / surface coating	CuBe age hardened / gold-plated
Outer conductor material / surface coating	CuBe / gold-plated copper alloy / gold-plated
Other parts material / surface coating	copper alloy / gold-plated
Weight, approx.	5 g
Marking	laser engraving

**Environmental conditions**

<b>Operation</b>	
Ambient temperature range	+18 to +28°C
Relative humidity, max.	95% (non-condensing)
<b>Storage</b>	
Ambient temperature range	-40 to +70°C
Relative humidity, max.	95% (non-condensing)

**Scope of delivery and accessories**

Scope of delivery	protective caps
-------------------	-----------------

SPINNER GmbH  
 This document is proprietary to us.  
 All rights reserved. Any use, transfer, or reproduction of this document  
 or the know-how contained therein requires our express consent.

Template TD-00261.dotx