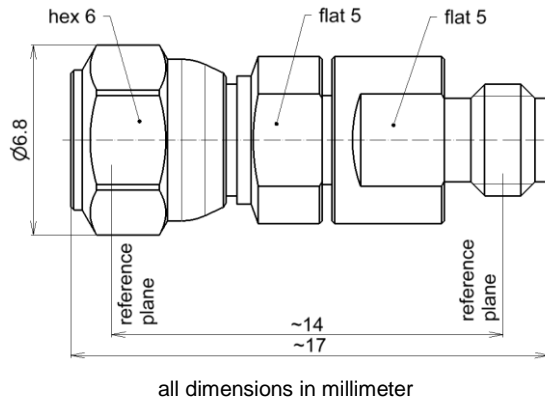


Adapter; precision, 1.0 mm socket, 0.8 mm plug | BN 533164

A photo of the product is to be placed here.



Radio frequency characteristics

Interface type	1.0 mm socket per IEEE Std 287 0.8 mm plug per IEEE Std 287
Frequency range	DC to 120 GHz
Characteristic impedance	50 Ω
Return loss, min.	25 dB @ DC to 26.5 GHz 22 dB @ 26.5 to 50 GHz 18 dB @ 50 to 90 GHz 15 dB @ 90 to 120 GHz
Repeatability, min.	45 dB (per IEEE Std 287.1)
Insertion loss, max. / typ.	0.7 dB / 0.5 dB

Mechanical characteristics

Inner conductor material / surface coating	CuBe age hardened / gold-plated
Outer conductor material / surface coating	CuBe / gold-plated copper alloy / gold-plated
Other parts material / surface coating	copper alloy / gold-plated CuBe / CuSnZn-plated
Weight, approx.	5 g
Marking	laser engraving

Environmental conditions

Operation	
Ambient temperature range	+18 to +28°C
Relative humidity, max.	95% (non-condensing)
Storage	
Ambient temperature range	-40 to +70°C
Relative humidity, max.	95% (non-condensing)

SPINNER GmbH
 This document is proprietary to us.
 All rights reserved. Any use, transfer, or reproduction of this document
 or the know-how contained therein requires our express consent.

Template TD-00221.docx



Adapter; precision, 1.0 mm socket, 0.8 mm plug | BN 533164

Scope of delivery and accessories

Scope of delivery	protective caps
-------------------	-----------------

SPINNER GmbH
This document is proprietary to us.
All rights reserved. Any use, transfer, or reproduction of this document
or the know-how contained therein requires our express consent.