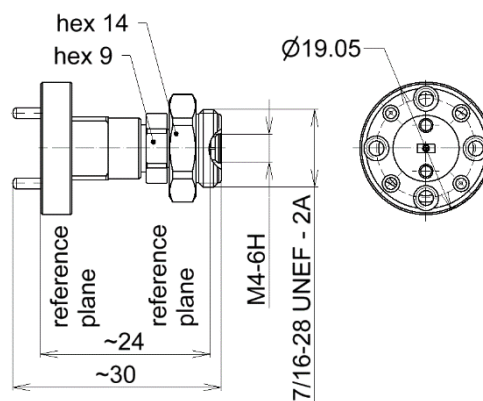


Adapter precision; R900 to 1.0 mm plug RUG | BN 533161



all dimensions in millimeter

Radio frequency characteristics

Interface type	R 900 per IEC 60153-2 (WR 10 per EIA RS-261, WM-2540 per IEEE Std 1785.1) / 1.0 mm plug per IEC 61169-31, ruggedized
Waveguide interface mechanics	UFC 900 per IEC 60154-2; compatible to M3922/67-010 (UG-387/U-mod) and IEEE 1785-2a type flanges
Frequency range	75 to 110 GHz
Characteristic impedance	50 Ω
Return loss, min. / typ.	16 / 20 dB @ 75 to 110 GHz

Mechanical characteristics

Inner conductor material / surface coating	CuBe age hardened / gold-plated
Outer conductor material / surface coating	CuBe / gold-plated copper alloy / gold-plated
Dielectric material	PS, PEI
Other parts material / surface coating	CuBe / nickel-plated stainless steel
Weight, approx.	28 g
Marking	laser engraving
Torque for ruggedized coupling nut	M4 - 6H: 0.45 N·m
	7/16-28 UNEF-2A: 0.9 N·m

Environmental conditions

Operation	
Operating environment	indoor
Ambient temperature range	+18 to +28°C
Relative humidity, max.	95% (non-condensing)
Storage	
Ambient temperature range	-40 to +70°C
Relative humidity, max.	95% (non-condensing)

Scope of delivery and accessories

Scope of delivery	test report, protective caps
-------------------	------------------------------

SPINNER GmbH
 This document is proprietary to us.
 All rights reserved. Any use, transfer, or reproduction of this document
 or the know-how contained therein requires our express consent.

Template TD-00002.dotx | Issue AB