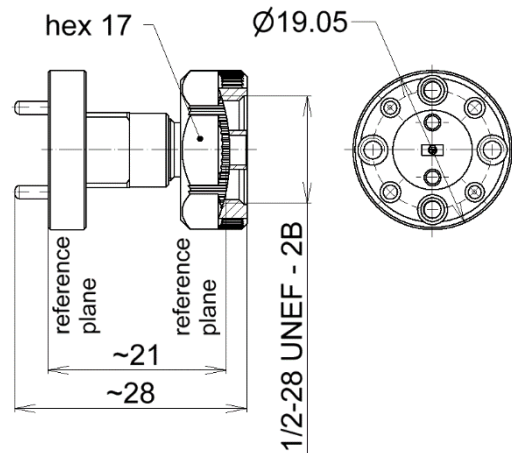


Waveguide to Coaxial Adapter || BN 533151



all dimensions in millimeter

Radio frequency characteristics

Waveguide interface aperture	R 900 per IEC 60153-2 (WR 10 per EIA RS-261, WM-2540 per IEEE Std 1785.1)
Waveguide interface connector	UFC 900 per IEC 60154-2; compatible to M3922/67-010 (UG-387/U-mod) and IEEE 1785.2a type flanges
Coaxial interface type	1.35 mm socket per IEEE Std 287 (50 Ω) Ruggedized by enlarged thread
Frequency range	75 to 90 GHz
Return loss, min. / typ.	16 dB / 20 dB

Mechanical characteristics

Inner conductor material / surface finish	beryllium copper, age hardened / gold-plated
Housing material / surface finish	beryllium copper / gold-plated copper alloy / gold-plated
Other metallic parts / surface finish	stainless steel / passivated
Weight, approx.	0.02 kg
Marking	laser engraving

Environmental conditions

Operation	
Ambient temperature range	+18 to +28°C
Storage	
Ambient temperature range	-40 to +70°C
Relative humidity	95% (non-condensing)

Scope of delivery and accessories

Scope of delivery	protective caps, socket-head cap screws no. 4-40 UNC
-------------------	--

SPINNER GmbH
 This document is proprietary to us.
 All rights reserved. Any use, transfer, or reproduction of this document
 or the know-how contained therein requires our express consent.