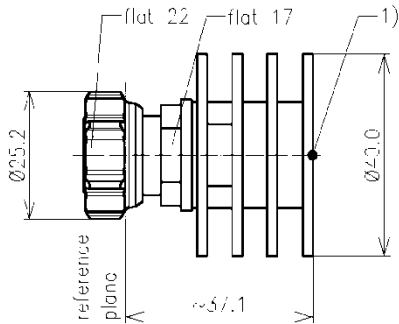


Load Type 4.3-10 || BN 531227



all dimensions in millimeter

Interface type	4.3-10 plug screw (50 Ω) per IEC 61169-54
Frequency range	DC to 7 GHz
VSWR, max.	1.06 @ DC to 1 GHz 1.11 @ 1 to 2 GHz 1.17 @ 2 to 5 GHz 1.22 @ 5 to 7 GHz
Power dissipation, max.	10 W 2)
Inner conductor material / surface finish	CuBe age-hardened / silver plated
Outer conductor material / surface finish	copper alloy / CuSnZn plated
Heat sink	aluminum / painted black (RAL9005 black)
Other metal parts / surface finish	copper alloy / nickel plated
Insulation	PTFE
IP protection level	IP68 per EN 60529 (barrier and mating face sealed)
Weight, approx.	85 g
Operating position	any

- 1) Measuring point for surface temperature
- 2) The maximum power handling is reduced with rising ambient temperatures as follows

