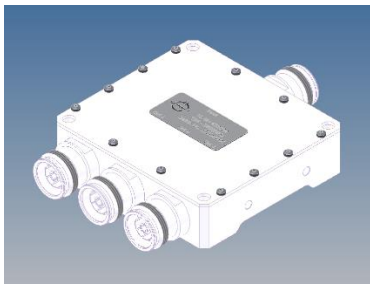
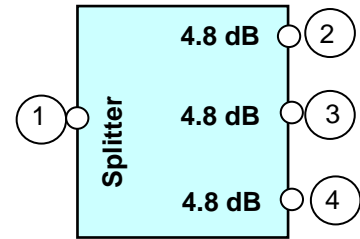


Stripline 3-Way-Splitter



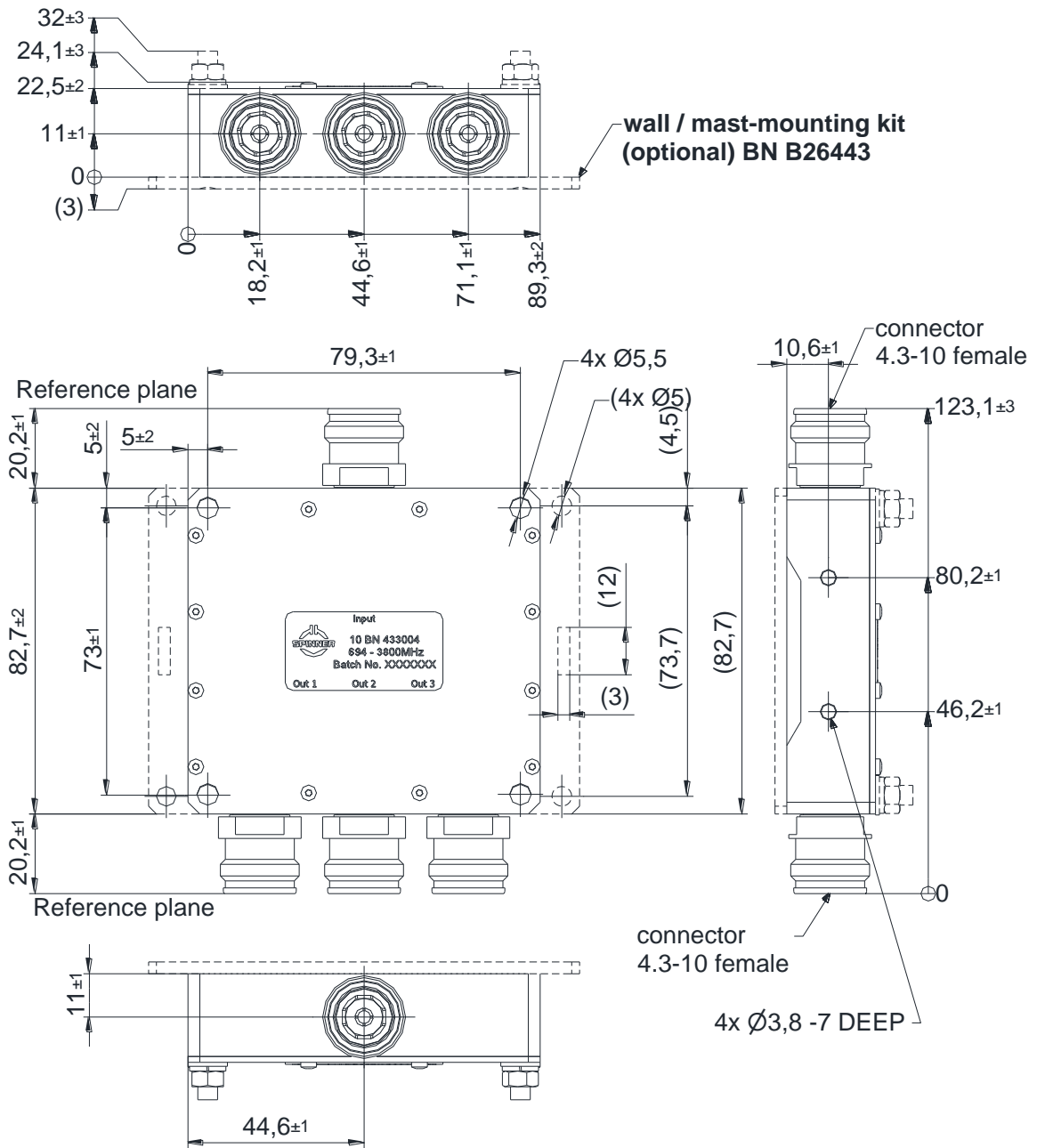
not binding



Block Diagram

| | | |
|---|---|---|
| Part number | BN 433004 | |
| Splitting ratio | 1 : 0.33 : 0.33 : 0.33 | |
| Connectors | 4.3-10 socket (50 Ohms) | |
| Frequency range | 694 – 3800 MHz | |
| Insertion loss | 694 – 2700 MHz | 4.8 dB ± 0.4 dB (including splitting losses) |
| | 2700 – 3800 MHz | 4.8 dB ± 0.5 dB (including splitting losses) |
| VSWR | 694 – 2700 MHz | ≤ 1.3 (Port 1) |
| | 2700 – 3800 MHz | ≤ 1.4 (Port 1) |
| Phase difference | ≤ 40° | |
| Power rating | 300 W CW | |
| IM - value 3rd order @ 2 x 20 W | ≤ -155 dBc typical ≤ -160 dBc | |
| DC-by-pass | DC all ports (max. 1A per input max. 60V DC(AISG Standard, 2.0, § 6.4)) | |
| Degree of protection | IP 65 outdoor | |
| Environmental conditions | ETSI EN 300019-1-1 Class 1.2 ETSI EN 300019-1-2 Class 2.3 ETSI EN 300019-1-4 Class 4.1E | |
| Weight (excluding mounting kit) | Approx. 0.52 kg | |
| Color | Grey | |
| Wall / Mast mounting | to be ordered separately under BN B26443 | |
| Temperature range | -25°C ~ +55°C | |
| Dimensions (LxWxH) (excluding connectors, mounting kit) | Approx. 82.7mmx89.3mmx23.5mm | |

Dimensions:



Note:

Technical information see datasheet BN 433004-BE

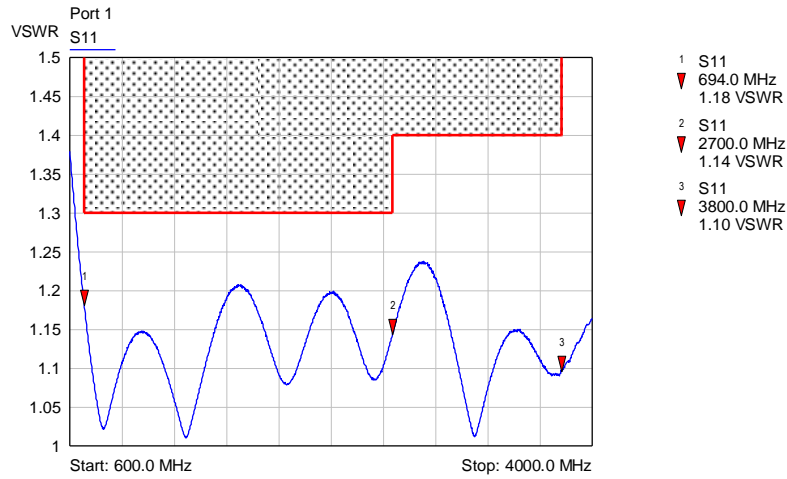
Standard:

4.3-10 female (50 ohms): IEC 61169-54

modifications reserved

Measurements:

VSWR:



Insertion loss:

