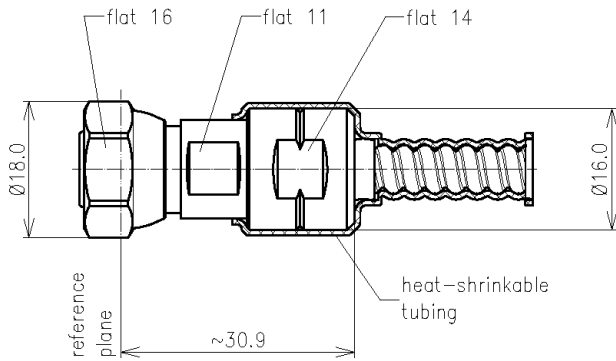


Cable Plug for cable SF 1/4"-50, Type 2.2-5 || BN 225040



all dimensions in millimeter

Interface type	2.2-5 plug screw (50 Ω) per IEC 61169-66	
Version	CAF®	
Frequency range	DC to 6 GHz	
VSWR, max.	1.03 @ DC to 1.0 GHz 1.06 @ 1.0 to 2.0 GHz 1.08 @ 2.0 to 2.7 GHz 1.12 @ 2.7 to 3.8 GHz 1.20 @ 3.8 to 6.0 GHz	
Inner conductor material / surface finish	copper alloy / silver plated	
Outer conductor material / surface finish	copper alloy / CuSnZn plated	
Other metal parts / surface finish	copper alloy / nickel plated	
Insulation	PTFE	
Sealing	silicone rubber, EPDM, heat-shrinkable adhesive tubing	
IP protection level	IP68 per EN 60529 (barrier and mating face sealed)	
Cable compatibility	RFS	SCF14-50
Installation instructions	M30493	
Weight, approx.	40 g	
Scope of delivery	heat-shrinkable adhesive tubing, installation instructions	

SPINNER GmbH | This document is proprietary to us. All rights reserved. Any use, transfer, or reproduction of this document or the know-how contained therein requires our express consent.