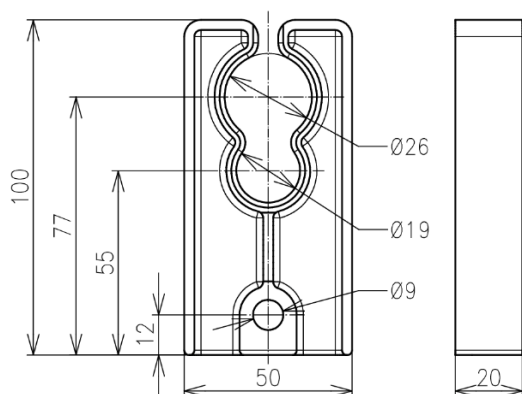


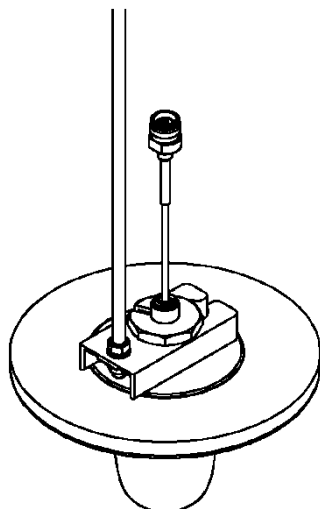
## Fixing element for omni antennas | BN 21247A



All dimensions in millimeter

Material / surface finish	Acrylnitril-Styrol-Acrylat (ASA) / no finish
Antenna compatibility	Antennas with Ø18 and Ø25 center mounting
Weight, approx.	30 g
Installation instructions	10090273
Operating temperature range	-40 to +85°C
Storage temperature range	-70 to +85°C

*Installation example:*



SPINNER GmbH  
 This document is proprietary to us.  
 All rights reserved. Any use, transfer, or reproduction of this document  
 or the know-how contained therein requires our express consent.